



jGUN DUAL SPEED

For fast run down and powerful torque capability, the Dual Speed jGun Series is the industry's most reliable choice.

3-IN-1 Bolting System



The jGun Dual Speed is the only pneumatic multiplier that gives you the flexibility to use it for rundown, final torque and heavy duty breakout. A simple twist of the collar switches the tool from high speed rundown mode into the max power mode with adjustable torque so you can choose the right output for your job.

Intuitive Design



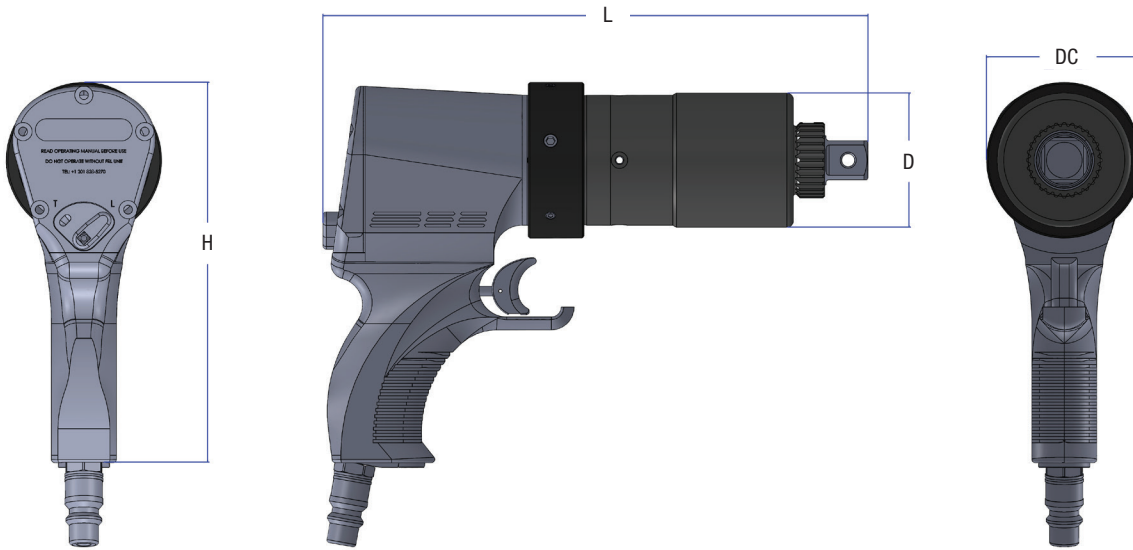
This robust tool eliminates the need for multiple systems making training simpler and reducing the chance for operator error. When multiple systems are used to assemble a bolted joint there is more chance for operator error. The jGun Dual Speed makes the job simpler by giving operators one easy to use system that can be used from start to finish.

Wheel Gun Accessory



The wheel gun accessory is the obvious choice for wheel bolting and all nuts and bolts in confined spaces. The powerful extension system delivers the desired torque without compromise to power or durability. With industry-leading repeatability and intuitive design, job integrity is always assured.

Technical Data



Model	H (Inch)	L (Inch)	D (Inch)	DC (Inch)	Drive (Inch)	Weight (Lbs)	Torque (ft-lbs)	
							MIN.	MAX.
J - A.5 - AP	7.40	10.03	2.58	2.99	3/4	9.04	194	502
J - A1 - AP	7.40	10.76	2.58	2.99	3/4	9.70	312	1,272
J - A2 - AP	8.42	12.51	3.25	4.48	1	15.00	520	2,039
J - A3 - AP	7.50	12.48	3.25	3.19	1	12.00	830	3,072
J - A5 - AP	8.42	14.65	4.15	4.48	1 1/2	22.50	1,215	5,007
J - A8 - AP	8.46	15.38	4.56	4.48	1 1/2	28.75	2,079	8,282

Contact Information

333 RT. 17 North
Mahwah, NJ 07430

1-800-FOR-HYTORC
www.hytorc.com

