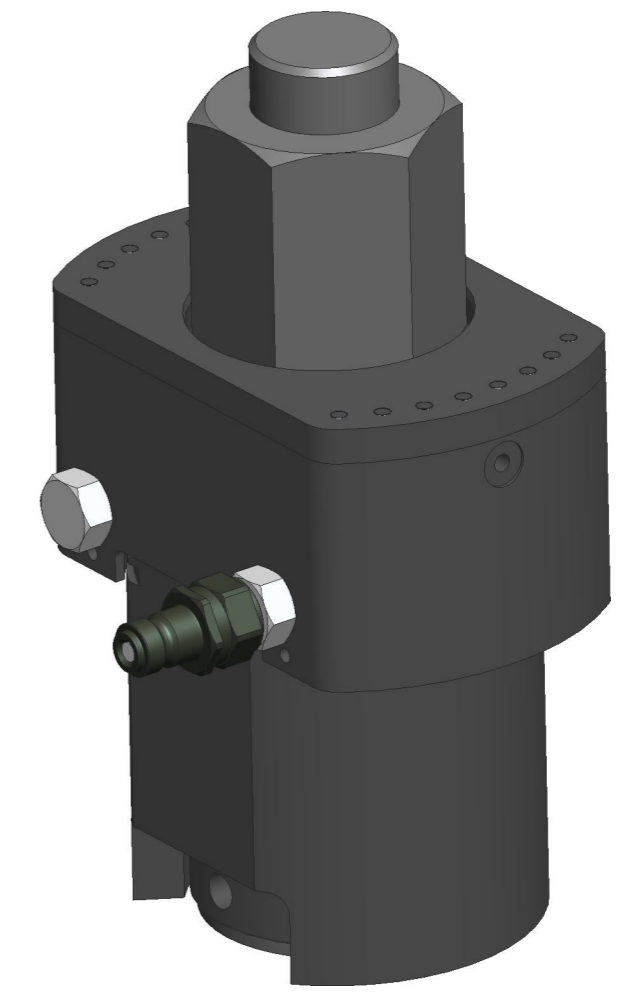
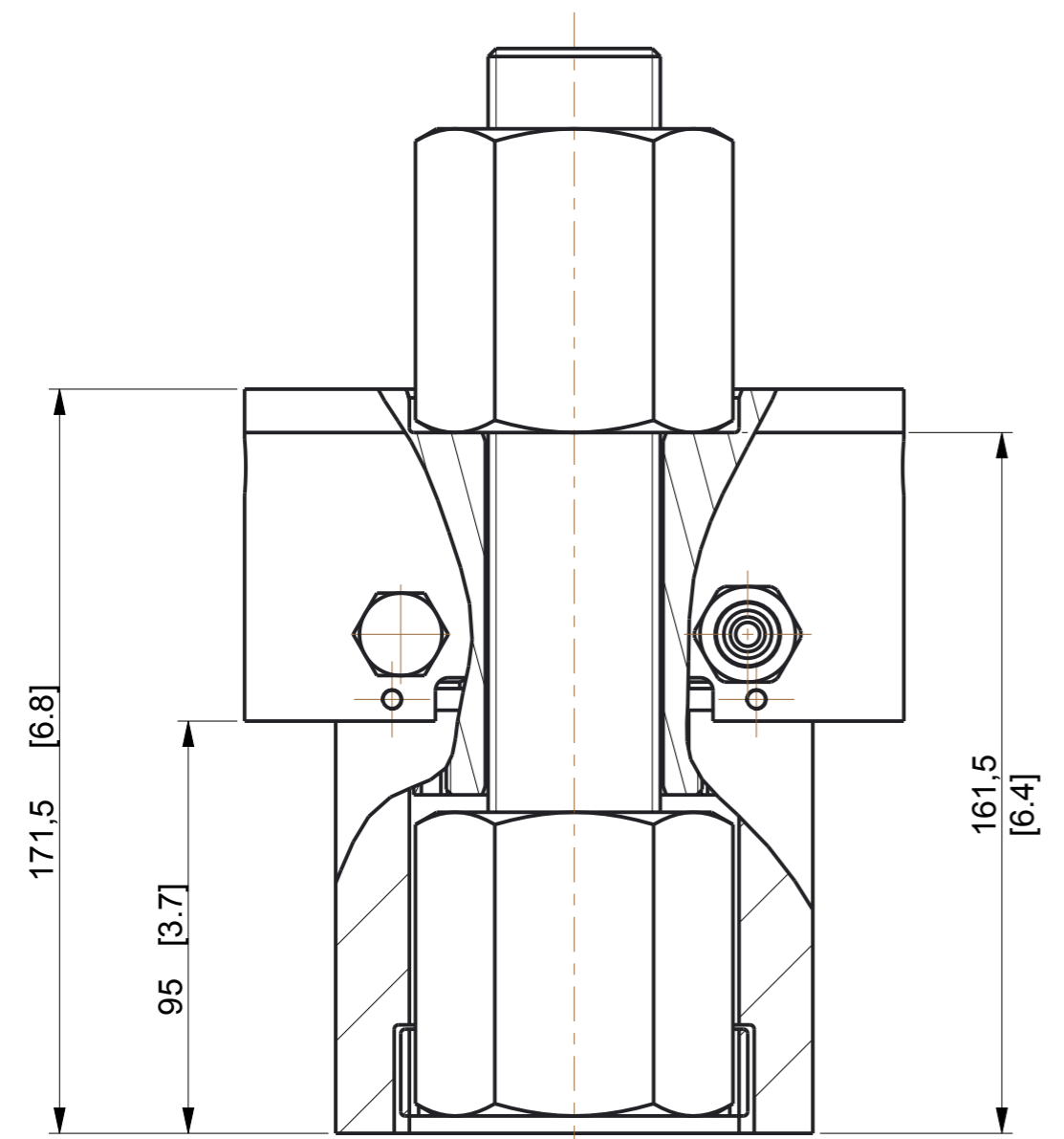


THIS DRAWING AND THE DESIGN IS THE PROPERTY OF HYTORC AND MUST NOT BE COPIED OR DISCLOSED TO ANY THIRD PARTY WITHOUT THE WRITTEN CONSENT OF THE COMPANY

ALL DIMS MM U.S.O.  
DO NOT SCALE

ALL DIMENSIONS IN mm [in]

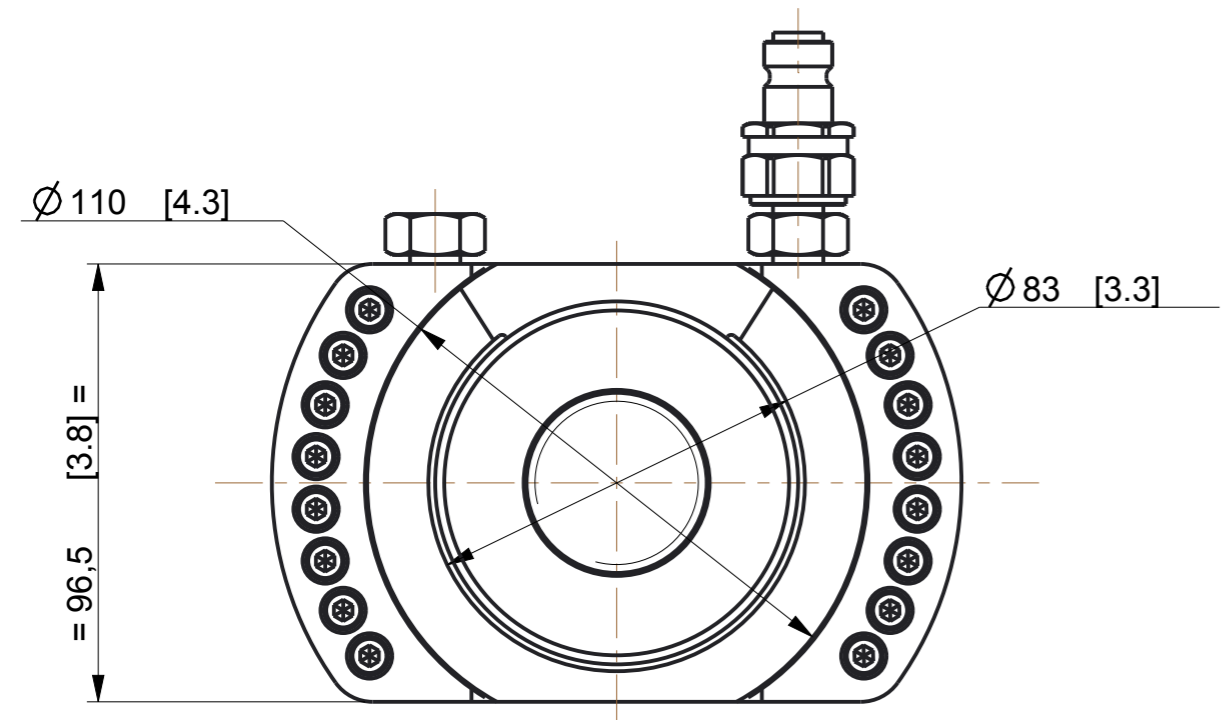


GENERAL VIEW  
SCALE 0.500

FEATURES:

- LONG LIFE LOW MAINTENANCE COMPOSITE SEALS
- POSITIVE STOP TO PREVENT OVERSTROKE
- AUTOMATIC PISTON RETURN
- TO SUIT WILLIAMS 150 KSI 1-1/4in & 1-3/8in STUDS (1-3/8in SHOWN)
- MAXIMUM STROKE INDICATOR
- OPTIONAL TWIN PORT CONFIGURATIONS

SPECIFICATION				
MAXIMUM PRESSURE	1500	bar	21750	psi
HYDRAULIC PRESSURE AREA	5067	mm <sup>2</sup>	7.85	in <sup>2</sup>
MAXIMUM LOAD	760	kN	170.85	klbf
MAXIMUM STROKE	10	mm	0.39	in
FOOTPRINT AREA	2951	mm <sup>2</sup>	4.57	in <sup>2</sup>
MAXIMUM FOOTPRINT STRESS	257.5	MPa	37338	psi
TOOL WEIGHT	10	kg	22	lbs



BRIDGE FOOTPRINT VIEW

MATERIAL							
FINISH							
SURFACE FINISH							
LIMITS U.S.O.	±0.25	±0.25°					
SIZE	A3	SCALE	0.600	A	-	JV	DM
				REV	CNN	DRAWN	CHECKED
						23/02/15	DATE



TITLE  
WILLIAMS 150 KSI 1-1/4in & 1-3/8in FOUNDATION BOLT TOOL

DRAWING NO. HTRN-WILL-13-00 ISSUE A