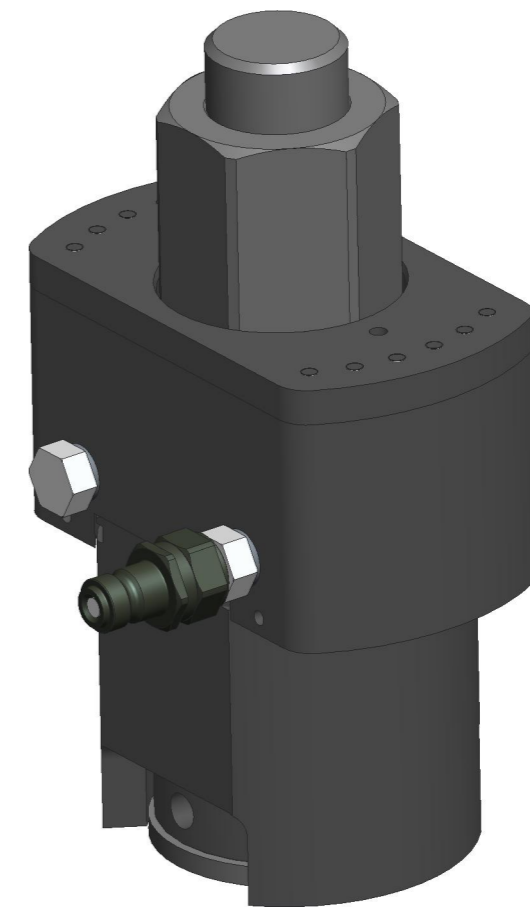
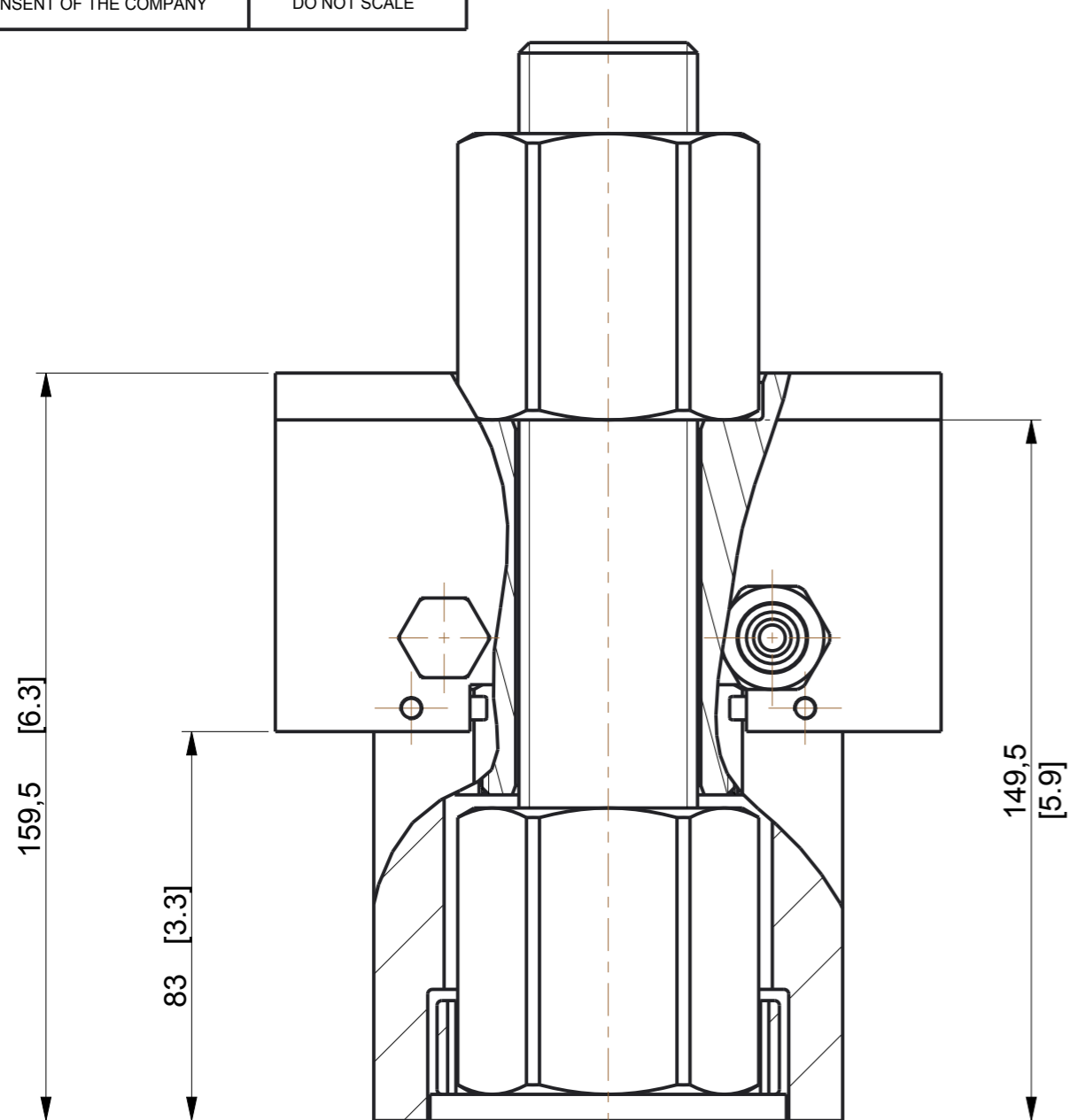


THIS DRAWING AND THE DESIGN IS THE PROPERTY OF HYTORC AND MUST NOT BE COPIED OR DISCLOSED TO ANY THIRD PARTY WITHOUT THE WRITTEN CONSENT OF THE COMPANY

ALL DIMS MM U.S.O.
DO NOT SCALE

ALL DIMENSIONS IN mm [in]

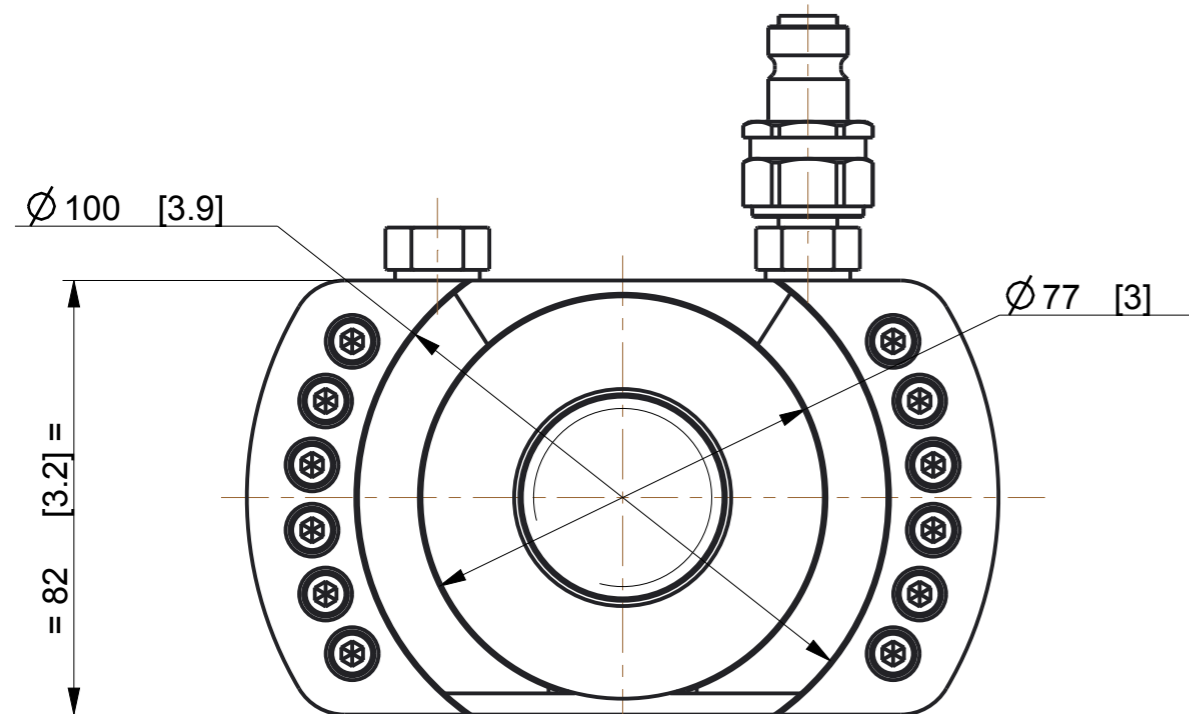


GENERAL VIEW
SCALE 0.500

FEATURES:

- LONG LIFE LOW MAINTENANCE COMPOSITE SEALS
- POSITIVE STOP TO PREVENT OVERSTROKE
- AUTOMATIC PISTON RETURN
- TO SUIT WILLIAMS GRADE 75 #10 & #11 STUDS (#11 SHOWN)
- MAXIMUM STROKE INDICATOR
- OPTIONAL TWIN PORT CONFIGURATIONS

SPECIFICATION				
MAXIMUM PRESSURE	1500	bar	21750	psi
HYDRAULIC PRESSURE AREA	3133	mm ²	4.86	in ²
MAXIMUM LOAD	470	kN	105.66	klbf
MAXIMUM STROKE	10	mm	0.39	in
FOOTPRINT AREA	1899	mm ²	2.94	in ²
MAXIMUM FOOTPRINT STRESS	247.5	MPa	35888	psi
TOOL WEIGHT	7.5	kg	16.5	lbs



BRIDGE FOOTPRINT VIEW

MATERIAL							
FINISH							
SURFACE FINISH							
LIMITS U.S.O.	±0.25	±0.25°					
SIZE	A3	SCALE	0.700	A	-	JV	DM
				REV	CNN	DRAWN	CHECKED
						22/12/14	DATE

HYTORC®

TITLE
WILLIAMS GRADE 75 #10 & #11
FOUNDATION BOLT TOOL

DRAWING NO.
HTRN-WILL-11-00

ISSUE
A