

HYTORC® AVANTI-130

The Most Powerful 3-1/2SQ Drive Tool Available in the Market

POWER

*Torque Range: 19,395 to 138,510 Ft Lbs.

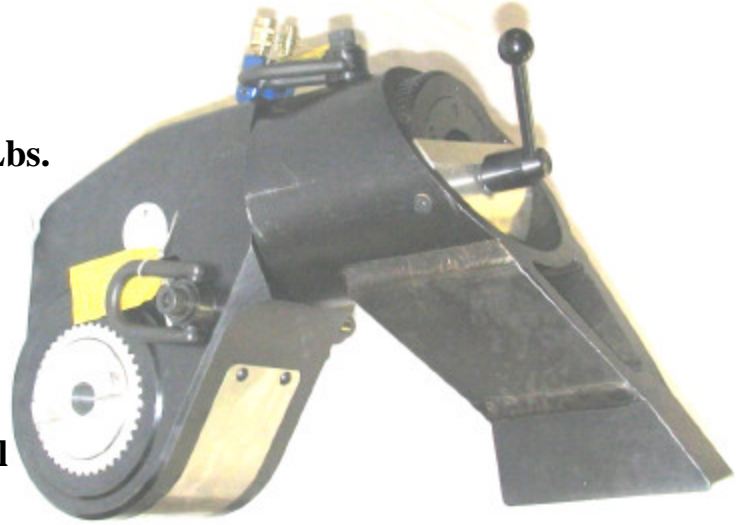
EASE TO USE

*Comes Standard with
Reaction Arm Handle &
360 degree Pivot Eyebolts

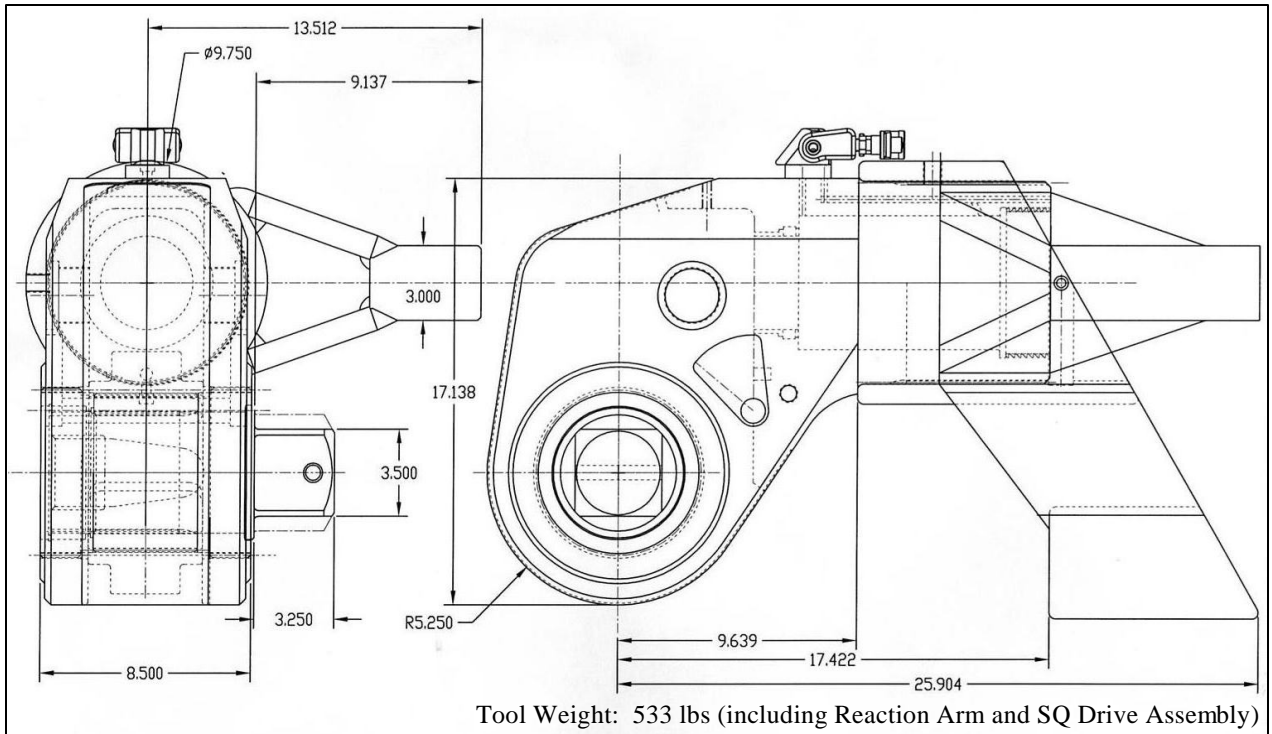
*360 Degree Adjustable Hose Uniswivel
& Reaction Arm

ACCURACY

*+/-3% Torque Output Accuracy**
Calibration Certificate Available upon Request



Dimensional Data



HYTORC®

333 Route 17 North, Mahwah, New Jersey 07430
Phone: 201-512-9500 Fax: 201-512-0530