



Avanti

Square Drive Tool

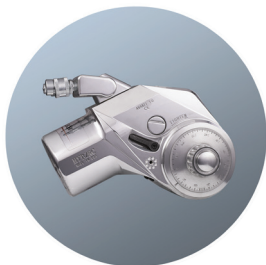
The Avanti series offers the widest range of torque output with a maximum output of more than 130,000 ft-lbs in the largest model. With tens of thousands in use around the world, the Avanti series is the industry's trusted solution for next-generation bolting.

Reaction Drive



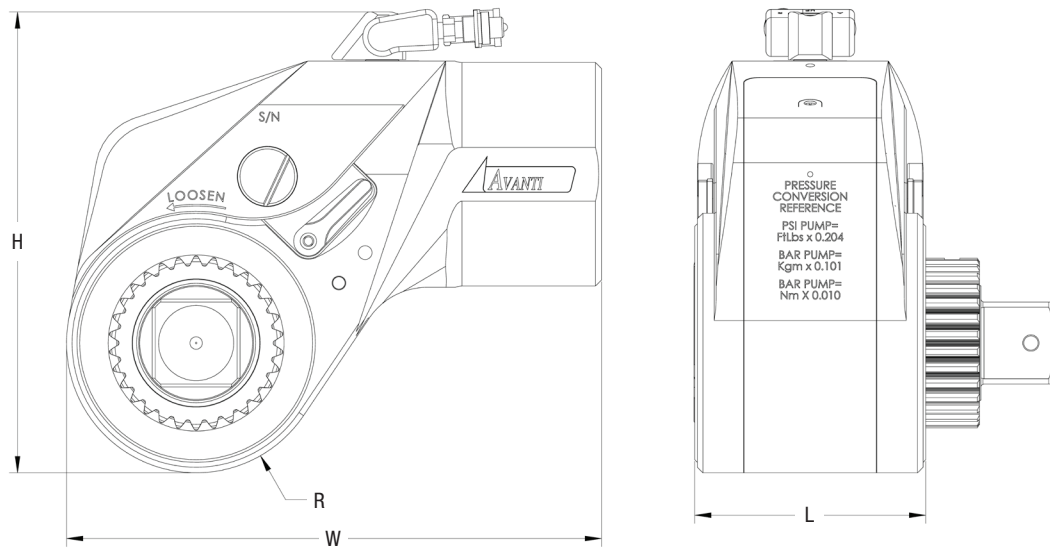
The Avanti features a patented industry-first reaction drive that eliminates the destructive twisting force that occurs in other torque wrenches that have a co-axial reaction arm. (* Also found on ICE series)

Torque & Angle Dial



With a simple add-on, the Avanti system is capable of providing a clear angle reading for bolting methods that incorporate turn of the nut.

Technical Data



Model	H (Inch)	W (Inch)	L (Inch)	R (Inch)	Drive (Inch)	Weight (Lbs)	Torque (ft-lbs)	
							MIN.	MAX.
Avanti - .7	4.19	1.79	4.14	0.99	3/4	3.10	115	767
Avanti - 1	4.76	2.18	4.71	1.13	3/4	4.50	196	1,284
Avanti - 3	6.20	2.90	6.15	1.52	1	9.45	460	3,084
Avanti - 5	7.14	3.38	7.36	1.80	1 1/2	15.60	804	5,360
Avanti - 8	7.90	3.86	8.24	1.94	1 1/2	20.75	1,150	7,760
Avanti - 10	8.85	4.35	9.20	2.25	1 1/2	29.20	1,800	11,743
Avanti - 20	10.22	5.07	10.94	2.60	2 1/2	47.70	2,760	17,890
Avanti - 35	12.22	6.23	13.45	3.19	2 1/2	82.75	4,905	31,830
Avanti - 50	13.90	7.04	15.54	3.95	2 1/2	127.70	7,202	46,126
Avanti - 80	16.84	7.49	19.52	4.69	3 1/2	280.50	11,965	85,695
Avanti - 130	19.40	8.50	22.73	5.31	3 1/2	585.00	19,395	138,510

Contact Information

333 RT. 17 North
Mahwah, NJ 07430

1-800-FOR-HYTORC
www.hytorc.com

HYTORC
Since 1968