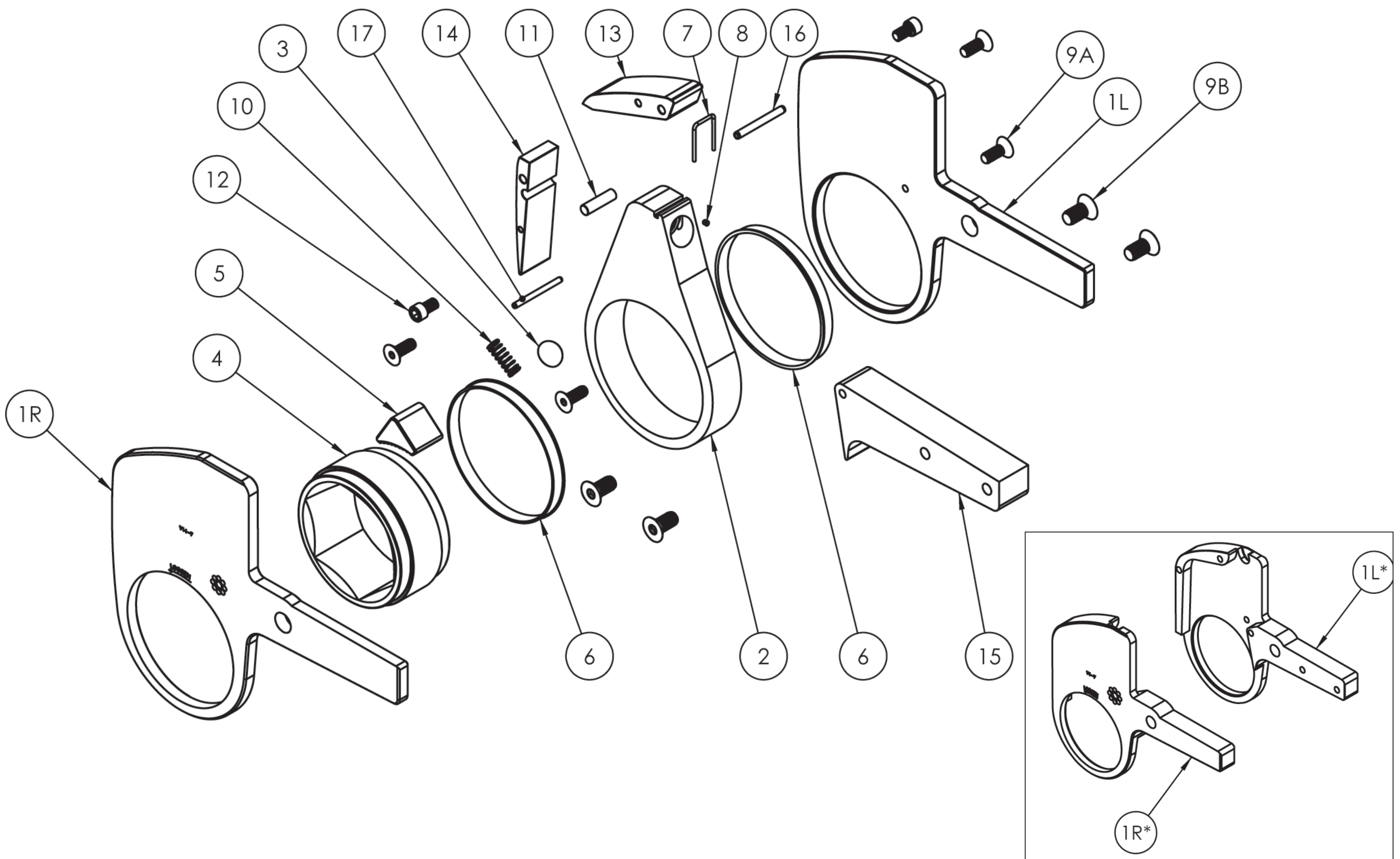


VERSA LINK



ITEM	DESCRIPTION	VERSA-1	VERSA-2	VERSA-4	VERSA-8	VERSA-14	VERSA-20	VERSA-30
1	SIDE PLATE RIGHT/LEFT	VERSA-01-52R/L #	VERSA-02-52R/L #	VERSA-04-52R/L #	VERSA-08-52R/L #	VERSA-14-52R/L #	VERSA-20-52R/L #	VERSA-30-52R/L #
2	DRIVE PLATE	VERSA-01-35 #	VERSA-02-35 #	VERSA-04-35 #	VERSA-08-35 #	VERSA-14-35 #	VERSA-20-35 #	VERSA-30-35 #
3	SPHERE SEGMENT	VERSA-01-21	VERSA-02-21	VERSA-04-21	VERSA-08-21	VERSA-14-21	VERSA-20-21	VERSA-30-21
4	RATCHET	VERSA-01-28 #	VERSA-02-28 #	VERSA-04-28 #	VERSA-08-28 #	VERSA-14-28 #	VERSA-20-28 #	VERSA-30-28 #
5	DRIVE SEGMENT	VERSA-01-20 #	VERSA-02-20 #	VERSA-04-20 #	VERSA-08-20 #	VERSA-14-20 #	VERSA-20-20 #	VERSA-30-20 #
6	SIDE PLATE SLEEVE	VERSA-01-55 #	VERSA-02-55 #	VERSA-04-55 #	VERSA-08-55 #	VERSA-14-55 #	VERSA-20-55 #	VERSA-30-55 #
7	SPRING WIRE	VERSA-01-37	VERSA-02-37	VERSA-04-37	VERSA-08-37	VERSA-14-37	VERSA-20-37	VERSA-30-37
8	SPRING WIRE SET SCREW	VERSA-01-38	VERSA-02-38	VERSA-04-38	VERSA-08-38	VERSA-14-38	VERSA-20-38	VERSA-30-38
9A	SIDE PLATE SCREW TOP	VERSA-01-51	VERSA-02-51	VERSA-04-51	VERSA-08-51	VERSA-14-51	VERSA-20-51	VERSA-30-51
9B	SIDE PLATE SCREW REAR	VERSA-01-51	VERSA-02-51	VERSA-04-51	VERSA-08-51	VERSA-14-49	VERSA-20-49	VERSA-30-49
10	DRIVE SEGMENT SPRING	VERSA-01-27	VERSA-02-27	VERSA-04-27	VERSA-08-27	VERSA-14-27	VERSA-20-27	VERSA-30-27
11	DRIVE PLATE STOPPER ROD	VERSA-01-42	VERSA-02-42	VERSA-04-42	VERSA-08-42	VERSA-14-42	VERSA-20-42	VERSA-30-42
12	SIDE PLATE SCREW MIDDLE	VERSA-01-50	VERSA-02-50	VERSA-04-50	VERSA-08-50	VERSA-14-50	VERSA-20-50	VERSA-30-50
13	TOP SPACER	N/A	VERSA-02-45T-01/ 02	VERSA-04-45T-01/ 02	VERSA-08-45T	VERSA-14-45T	VERSA-20-45T	VERSA-30-45T
14	FRONT SPACER	N/A	VERSA-02-45F #	VERSA-04-45F #	VERSA-08-45F #	VERSA-14-45F #	VERSA-20-45F #	VERSA-30-45F #
15	REAR SPACER	N/A	VERSA-02-45R #	VERSA-04-45R #	VERSA-08-45R #	VERSA-14-45R #	VERSA-20-45R #	VERSA-30-45R #
16	SIDE PLATE ROLL PIN TOP	N/A	VERSA-02-48T	VERSA-04-48T	VERSA-08-48T	VERSA-14-48T	VERSA-20-48T	VERSA-30-48T
17	SIDE PLATE ROLL PIN MIDDLE	N/A	VERSA-02-48F	VERSA-04-48F	VERSA-08-48F	VERSA-14-48F	VERSA-20-48F	VERSA-30-48F
18	LINK MAINTENANCE KIT	MK-VERSA-01-LK	MK-VERSA-02-LK	MK-VERSA-04-LK	MK-VERSA-08-LK	MK-VERSA-14-LK	MK-VERSA-20-LK	MK-VERSA-30-LK