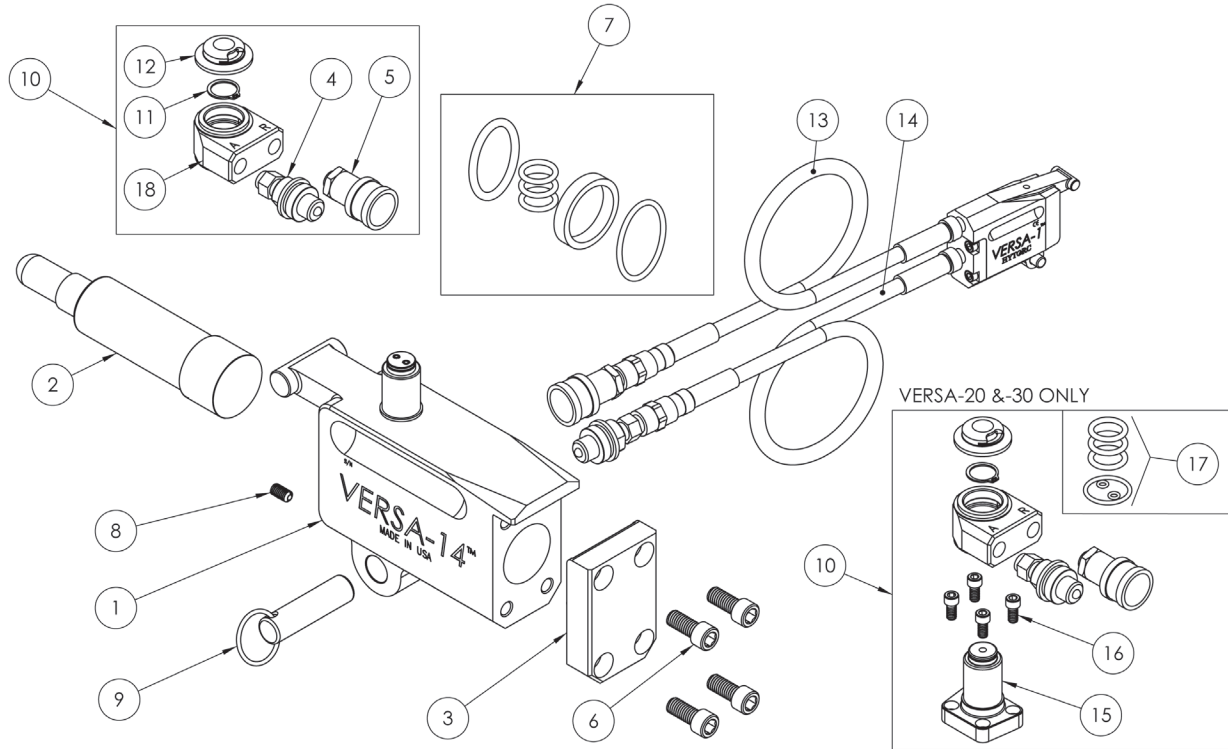


APPENDIX A

# VERSA TOOL PARTS LIST



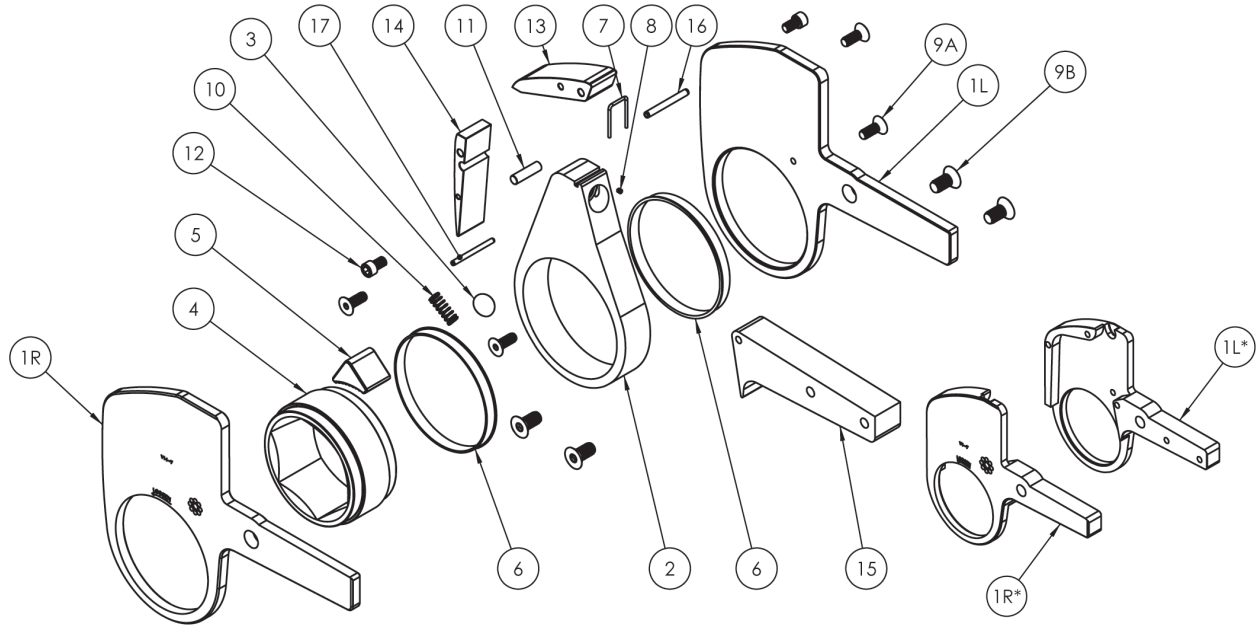
| ITEM | DESCRIPTION                    | VERSA-1     | VERSA-2      | VERSA-4      | VERSA-8      | VERSA-14     | VERSA-20     | VERSA-30     |
|------|--------------------------------|-------------|--------------|--------------|--------------|--------------|--------------|--------------|
| 1    | HOUSING                        | VERSA-01-01 | VERSA-02-01  | VERSA-04-01  | VERSA-08-01  | VERSA-14-01  | VERSA-20-01  | VERSA-30-01  |
| 2    | PISTON ROD ASSEMBLY            | VERSA-01-06 | VERSA-02-06  | VERSA-04-06  | VERSA-08-06  | VERSA-14-06  | VERSA-20-06  | VERSA-30-06  |
| 3    | END CAP WITH SEAL              | VERSA-01-02 | VERSA-02-02  | VERSA-04-02  | VERSA-08-02  | VERSA-14-02  | VERSA-20-02  | VERSA-30-02  |
| 4    | MALE COUPLER                   | N/A         | 090155-1/8   | 090155-1/4   | 090155-1/4   | 090155-1/4   | 090155-1/4   | 090155-1/4   |
| 5    | FEMALE COUPLER                 | N/A         | 090156-1     | 90156        | 90156        | 90156        | 90156        | 90156        |
| 6    | END CAP SCREWS                 | VERSA-01-34 | VERSA-02-34  | VERSA-04-34  | VERSA-08-34  | VERSA-14-34  | VERSA-20-34  | VERSA-30-34  |
| 7    | SEAL KIT                       | VERSA-01-13 | VERSA-02-13  | VERSA-04-13  | VERSA-08-13  | VERSA-14-13  | VERSA-20-13  | VERSA-30-13  |
| 8    | LINK PIN RETAINER              | VERSA-01-12 | ST-02-19     | ST-04-19     | ST-08-19     | VERSA-14-12  | VERSA-20-12  | VERSA-30-12  |
| 9    | LINK PIN WITH RING             | VERSA-01-10 | XLCT-02-10   | XLCT-04-10   | XLCT-08-10   | XLCT-14-10   | VERSA-20-10  | XLCT-30-10   |
| 10   | UNISWIVEL ASSEMBLY             | N/A         | VERSA-002    | VERSA-004    | VERSA-004    | VERSA-004    | VERSA-020    | VERSA-020    |
| 11   | SAFETY CAP RETAINING RING      | N/A         | VERSA-02-504 | VERSA-04-504 | VERSA-04-504 | VERSA-04-504 | VERSA-04-504 | VERSA-04-504 |
| 12   | SAFETY CAP                     | N/A         | VERSA2-SF013 | XLT-SF003    | XLT-SF003    | XLT-SF003    | XLT-SF003    | XLT-SF003    |
| 13   | HOSE WHIP WITH FEMALE COUPLER  | 090160-18F  | N/A          | N/A          | N/A          | N/A          | N/A          | N/A          |
| 14   | HOSE WHIP WITH MALE COUPLER    | 090160-18M  | N/A          | N/A          | N/A          | N/A          | N/A          | N/A          |
| 15   | SWIVEL POST                    | N/A         | N/A          | N/A          | N/A          | N/A          | XLT-SF001    | XLT-SF001    |
| 16   | POST MOUNTING SCREWS           | N/A         | N/A          | N/A          | N/A          | N/A          | XLT-00-004   | XLT-00-004   |
| 17   | UNISWIVEL SEAL KIT             | N/A         | VERSA-002-00 | VERSA-004-00 | VERSA-004-00 | VERSA-004-00 | XLT-001-00   | XLT-001-00   |
| 18   | SWIVEL BLOCK WITH COUPLERS     | N/A         | VERSA-002    | VERSA-004    | VERSA-004    | VERSA-004    | VERSA-004    | VERSA-004    |
| 19   | TOOL MAINTENANCE KIT           | MK-VERSA-01 | MK-VERSA-02  | MK-VERSA-04  | MK-VERSA-08  | MK-VERSA-14  | MK-VERSA-20  | MK-VERSA-30  |
| 20   | 360 X 180 UNISWIVEL (OPTIONAL) | N/A         | VERSA-002-1  | VERSA-004-1  | VERSA-004-1  | VERSA-004-1  | VERSA-004-1  | VERSA-004-1  |

Technical data and specifications are subject to change without notice.



## APPENDIX B

# VERSA LOW CLEARANCE LINK PARTS LIST



\*VERSA-1 PARTS ONLY

NOTE: "#" DESIGNATES LINK BLANK NUMBER

| ITEM | DESCRIPTION                | VERSA-1          | VERSA-2             | VERSA-4             | VERSA-8          | VERSA-14         | VERSA-20         | VERSA-30         |
|------|----------------------------|------------------|---------------------|---------------------|------------------|------------------|------------------|------------------|
| 1    | SIDE PLATE RIGHT/LEFT      | VERSA-01-52R/L # | VERSA-02-52R/L #    | VERSA-04-52R/L #    | VERSA-08-52R/L # | VERSA-14-52R/L # | VERSA-20-52R/L # | VERSA-30-52R/L # |
| 2    | DRIVE PLATE                | VERSA-01-35 #    | VERSA-02-35 #       | VERSA-04-35 #       | VERSA-08-35 #    | VERSA-14-35 #    | VERSA-20-35 #    | VERSA-30-35 #    |
| 3    | SPHERE SEGMENT             | VERSA-01-21      | VERSA-02-21         | VERSA-04-21         | VERSA-08-21      | VERSA-14-21      | VERSA-20-21      | VERSA-30-21      |
| 4    | RATCHET                    | VERSA-01-28 #    | VERSA-02-28 #       | VERSA-04-28 #       | VERSA-08-28 #    | VERSA-14-28 #    | VERSA-20-28 #    | VERSA-30-28 #    |
| 5    | DRIVE SEGMENT              | VERSA-01-20 #    | VERSA-02-20 #       | VERSA-04-20 #       | VERSA-08-20 #    | VERSA-14-20 #    | VERSA-20-20 #    | VERSA-30-20 #    |
| 6    | SIDE PLATE SLEEVE          | VERSA-01-55 #    | VERSA-02-55 #       | VERSA-04-55 #       | VERSA-08-55 #    | VERSA-14-55 #    | VERSA-20-55 #    | VERSA-30-55 #    |
| 7    | SPRING WIRE                | VERSA-01-37      | VERSA-02-37         | VERSA-04-37         | VERSA-08-37      | VERSA-14-37      | VERSA-20-37      | VERSA-30-37      |
| 8    | SPRING WIRE SET SCREW      | VERSA-01-38      | VERSA-02-38         | VERSA-04-38         | VERSA-08-38      | VERSA-14-38      | VERSA-20-38      | VERSA-30-38      |
| 9A   | SIDE PLATE SCREW TOP       | VERSA-01-51      | VERSA-02-51         | VERSA-04-51         | VERSA-08-51      | VERSA-14-51      | VERSA-20-51      | VERSA-30-51      |
| 9B   | SIDE PLATE SCREW REAR      | VERSA-01-51      | VERSA-02-51         | VERSA-04-51         | VERSA-08-51      | VERSA-14-49      | VERSA-20-49      | VERSA-30-49      |
| 10   | DRIVE SEGMENT SPRING       | VERSA-01-27      | VERSA-02-27         | VERSA-04-27         | VERSA-08-27      | VERSA-14-27      | VERSA-20-27      | VERSA-30-27      |
| 11   | DRIVE PLATE STOPPER ROD    | VERSA-01-42      | VERSA-02-42         | VERSA-04-42         | VERSA-08-42      | VERSA-14-42      | VERSA-20-42      | VERSA-30-42      |
| 12   | SIDE PLATE SCREW MIDDLE    | VERSA-01-50      | VERSA-02-50         | VERSA-04-50         | VERSA-08-50      | VERSA-14-50      | VERSA-20-50      | VERSA-30-50      |
| 13   | TOP SPACER                 | N/A              | VERSA-02-45T-01/ 02 | VERSA-04-45T-01/ 02 | VERSA-08-45T     | VERSA-14-45T     | VERSA-20-45T     | VERSA-30-45T     |
| 14   | FRONT SPACER               | N/A              | VERSA-02-45F #      | VERSA-04-45F #      | VERSA-08-45F #   | VERSA-14-45F #   | VERSA-20-45F #   | VERSA-30-45F #   |
| 15   | REAR SPACER                | N/A              | VERSA-02-45R #      | VERSA-04-45R #      | VERSA-08-45R #   | VERSA-14-45R #   | VERSA-20-45R #   | VERSA-30-45R #   |
| 16   | SIDE PLATE ROLL PIN TOP    | N/A              | VERSA-02-48T        | VERSA-04-48T        | VERSA-08-48T     | VERSA-14-48T     | VERSA-20-48T     | VERSA-30-48T     |
| 17   | SIDE PLATE ROLL PIN MIDDLE | N/A              | VERSA-02-48F        | VERSA-04-48F        | VERSA-08-48F     | VERSA-14-48F     | VERSA-20-48F     | VERSA-30-48F     |
| 18   | LINK MAINTENANCE KIT       | MK-VERSA-01-LK   | MK-VERSA-02-LK      | MK-VERSA-04-LK      | MK-VERSA-08-LK   | MK-VERSA-14-LK   | MK-VERSA-20-LK   | MK-VERSA-30-LK   |

Technical data and specifications are subject to change without notice.