

OFFSET LINK 1

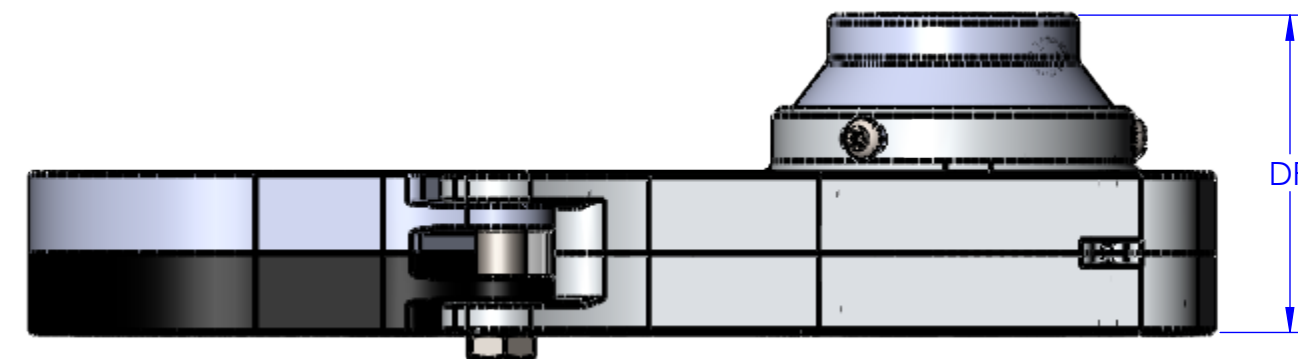
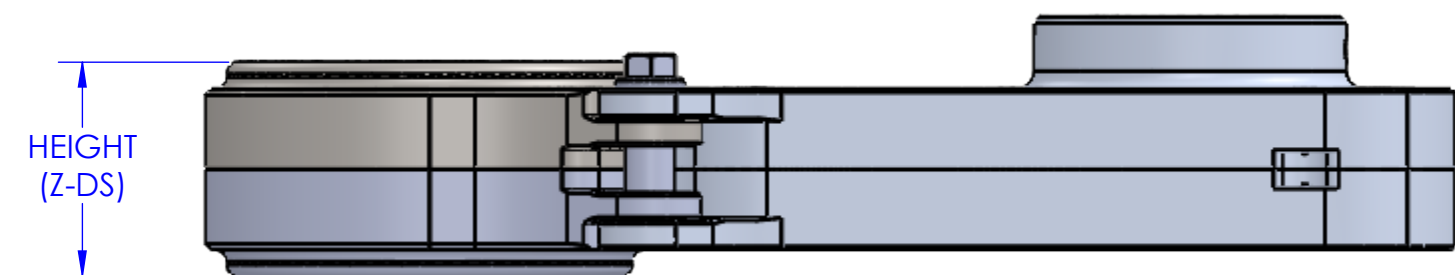
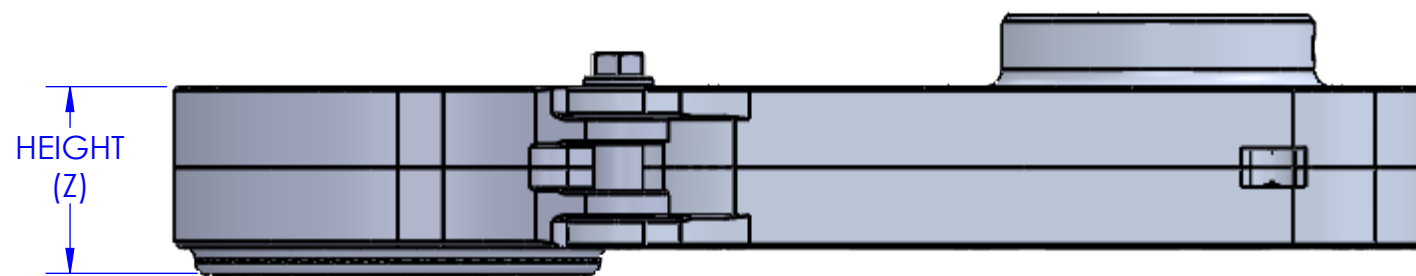
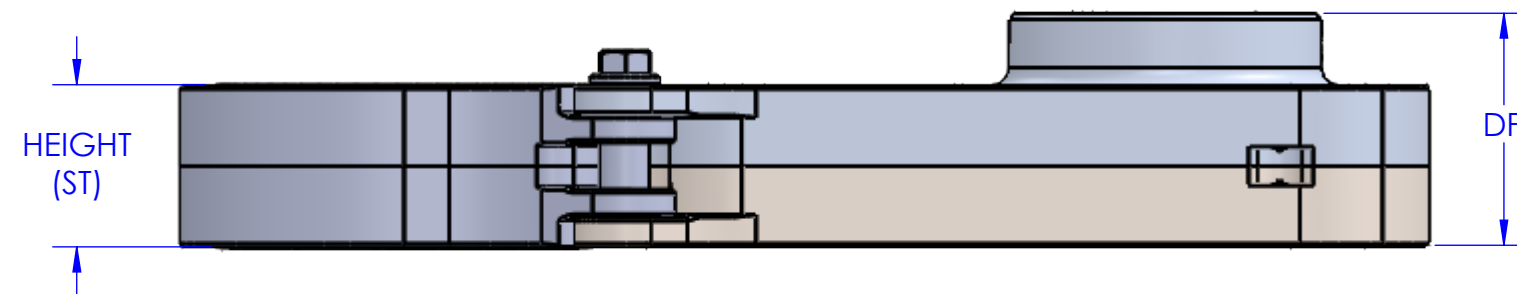
CARTRIDGE (BLANK)	CARTRIDGE ASSEMBLY		OUTLINE DIMENSIONS INSTALLED WITH HOUSE							
	HEX SIZE	FACTOR	OFFSET	RADIUS	LENGTH	WIDTH	HEIGHT			ARM (ST ONLY)
							ST	Z	Z-DS	
1	9/16" TO 1-1/4", 24MM TO 32MM	1.46	4.86	1.17	8.07	4.22	1.25	1.43		5.38
2	1-5/16" TO 1-7/16", 34MM, 36MM	1.3	4.99	1.27	8.3	4.22	1.25	1.43		5.38
3	1-1/2", 1-5/8", 41MM	1.2	5.07	1.36	8.47	4.22	1.25	1.43		5.38
4	1-11/16", 1-13/16", 46MM	1.12	5.16	1.47	8.67	4.22	1.25	1.45		5.38
5	1-7/8", 2", 50MM	1.05	5.28	1.6	8.92	4.22	1.25	1.45		5.38
6	2-1/16" TO 2-3/16", 55MM	0.99	5.45	1.76	9.25	4.22	1.25	1.45		5.38
8	2-3/8", 60MM	0.9	5.57	1.87	9.48	4.22	1.25	1.45		5.38
9	2-9/16", 65MM	0.86	5.67	1.96	9.67	4.22	1.25	1.52		5.38

OFFSET LINK 3

CARTRIDGE (BLANK)	CARTRIDGE ASSEMBLY		OUTLINE DIMENSIONS INSTALLED, INCLUDING HOUSE							
	HEX SIZE	FACTOR	OFFSET	RADIUS	LENGTH	WIDTH	HEIGHT			ARM (ST ONLY)
							ST	Z	Z-DS	
1	1-1/4" TO 2", 46MM, 50MM	1.52	7.37	1.77	11.89	6.49	1.67	1.87	2.04	8
2	2-1/16", 2-3/16", 55MM	1.39	7.42	1.84	12.01	6.49	1.67	1.87	2.04	8
3	2-1/4", 2-3/8", 60MM	1.33	7.48	1.9	12.13	6.49	1.67	1.87	2.07	8
4	2-7/16", 2-9/16", 65MM	1.22	7.67	2.09	12.51	6.49	1.67	1.94	2.21	8
5	2-5/8", 2-3/4", 70MM	1.15	7.73	2.2	12.68	6.49	1.67	1.94	2.21	8
6	2-13/16", 2-15/16", 75MM	1.1	7.86	2.27	12.88	6.49	1.67	1.95	2.23	8
7	3-1/8", 80MM	1.06	7.92	2.33	13	6.49	1.67	1.95	2.23	8
9	3-1/4", 85MM	0.97	8.17	2.58	13.5	6.49	1.67	2.205		8
10	3-1/2", 90MM	0.93	8.36	2.88	13.99	6.82	1.67	2.205		8

NOTES: ST:STANDARD
 Z: Z-LINK
 Z-DS: Z-LINK, DOUBLE SIDES

HOUSING HEIGHT, INPUT SIDE: DP
 LINK 1: DP=1.83"
 LINK 3: DP=2.42"
 SPECIAL HOUSING: SZOL1-A0100-LA, FOR LION.25 GUN: DP=2.48"



FOR SZOL1-A0100-LA, SPECIAL HOUSING ONLY

© 2019 HYTORC, DIV. UNEX CORP.

HYTORC Since 1968

REF. _____
 PROPRIETARY AND CONFIDENTIAL
 This drawing is the property of the UNEX Corporation and the information thereon is to be treated as confidential. It is not to be used, copied or disclosed to outside parties without our written consent.

DRAWN: _____ CHECKED: _____
 DATE: _____ DATE: _____
 SIZE DWG. NO. _____ REV A
 C OFFSET LINK - DIM OUTLINE-DIM