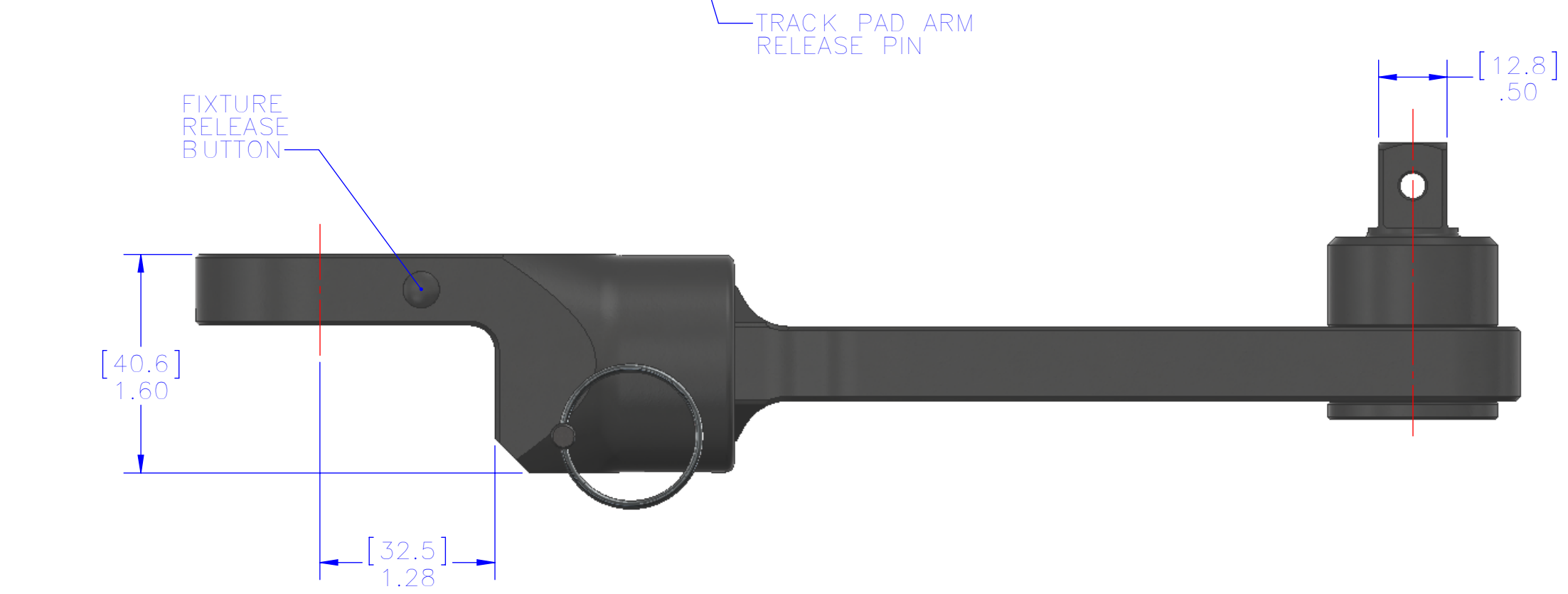
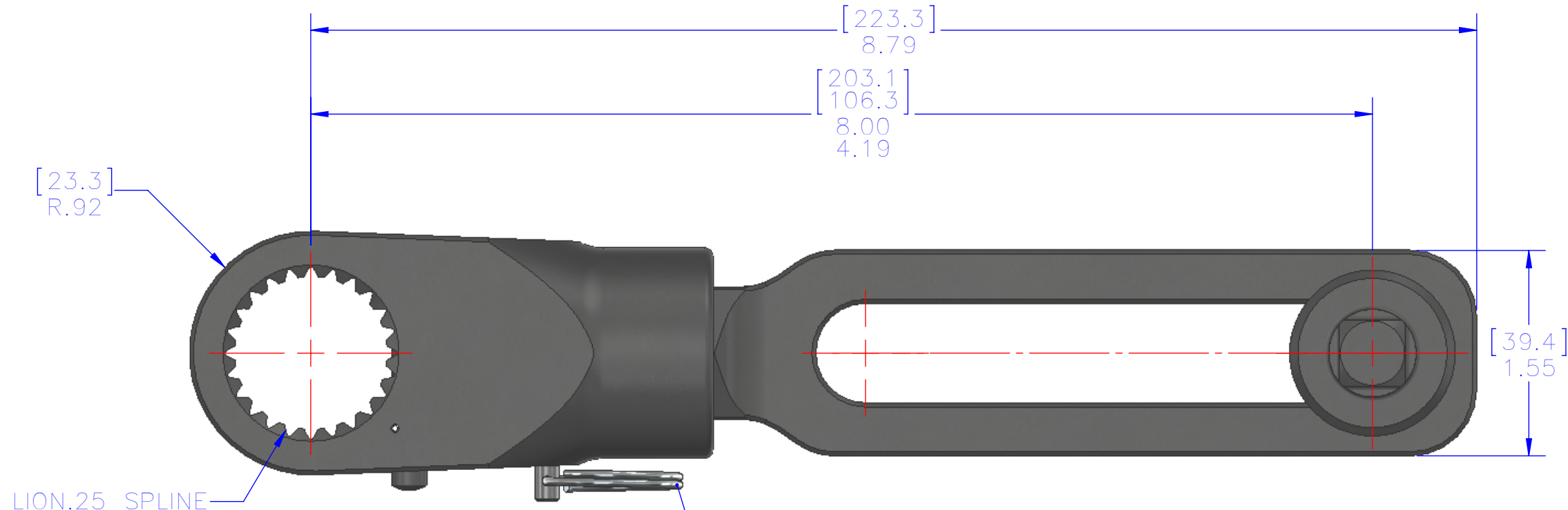


REVISIONS			
REV.	DESCRIPTION OR ECN	APP	DATE
A	RELEASED FOR PRODUCTION		



SCALE 1 : 2

© 2010 HYTORC, DIV. UNEX CORP.			
TITLE: TRACK PAD FIXTURE LION .25			
HYTORC <i>Since 1968</i>			
DRAWN: CJI	CHECKED:		
DATE: 9/21/16	APPROVED:		
SIZE B	DWG. NO. LION.25-HXA-TPF-DIM	REV A	

PROPRIETARY AND CONFIDENTIAL
This drawing is the property of the UNEX Corporation and the information thereon is to be treated as confidential. It is not to be used, copied or disclosed to outside parties without our written consent.