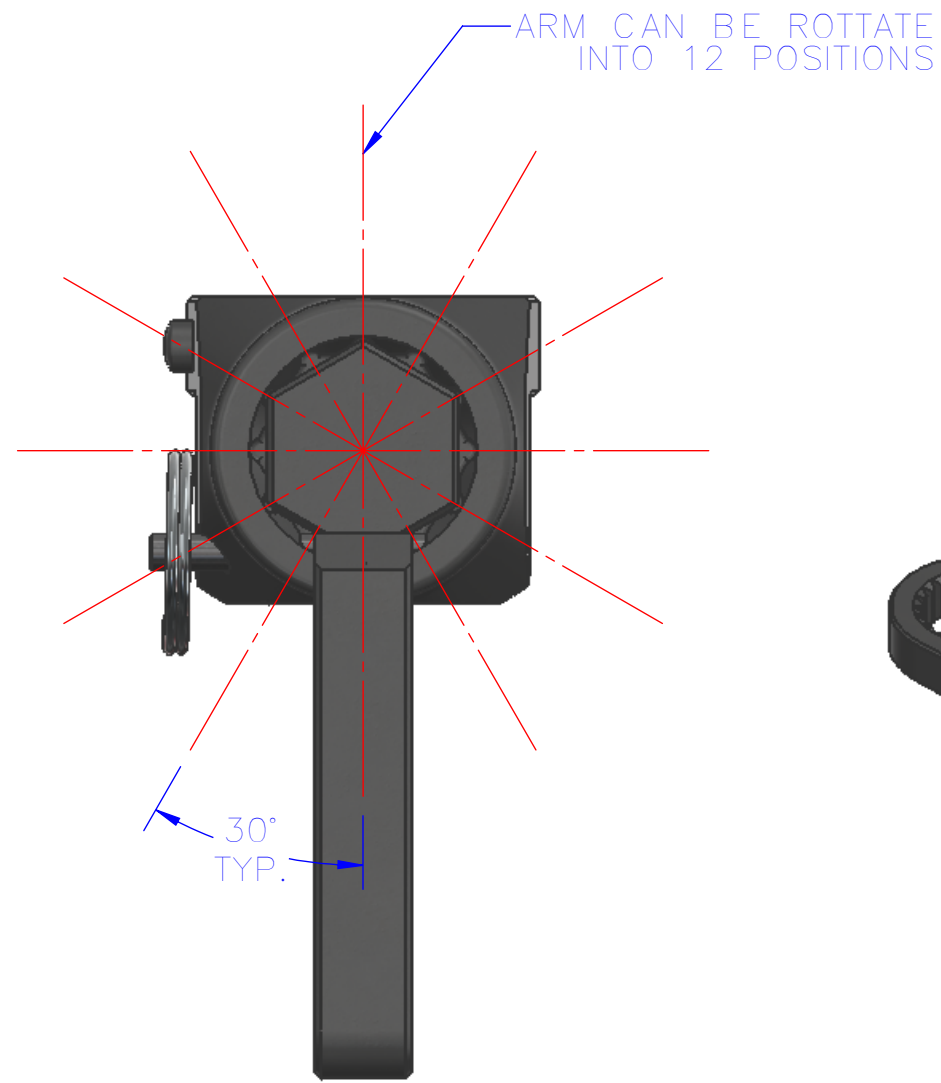
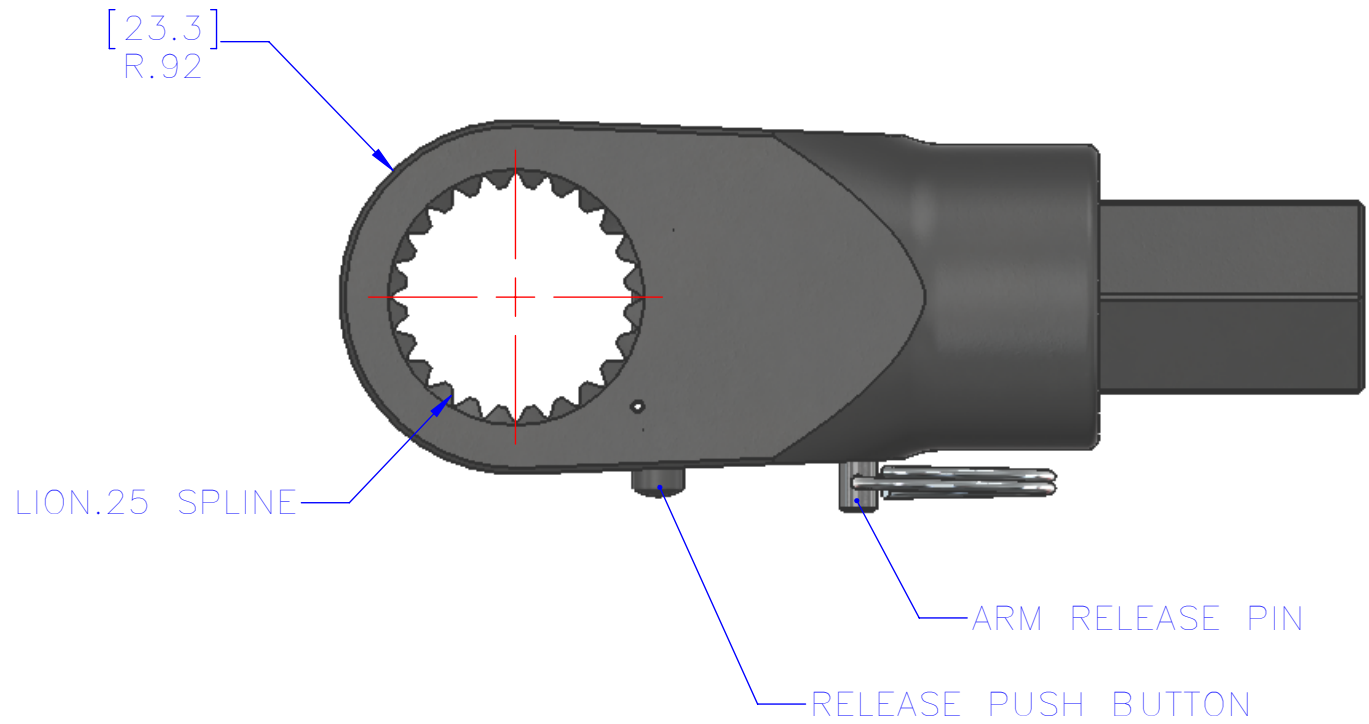
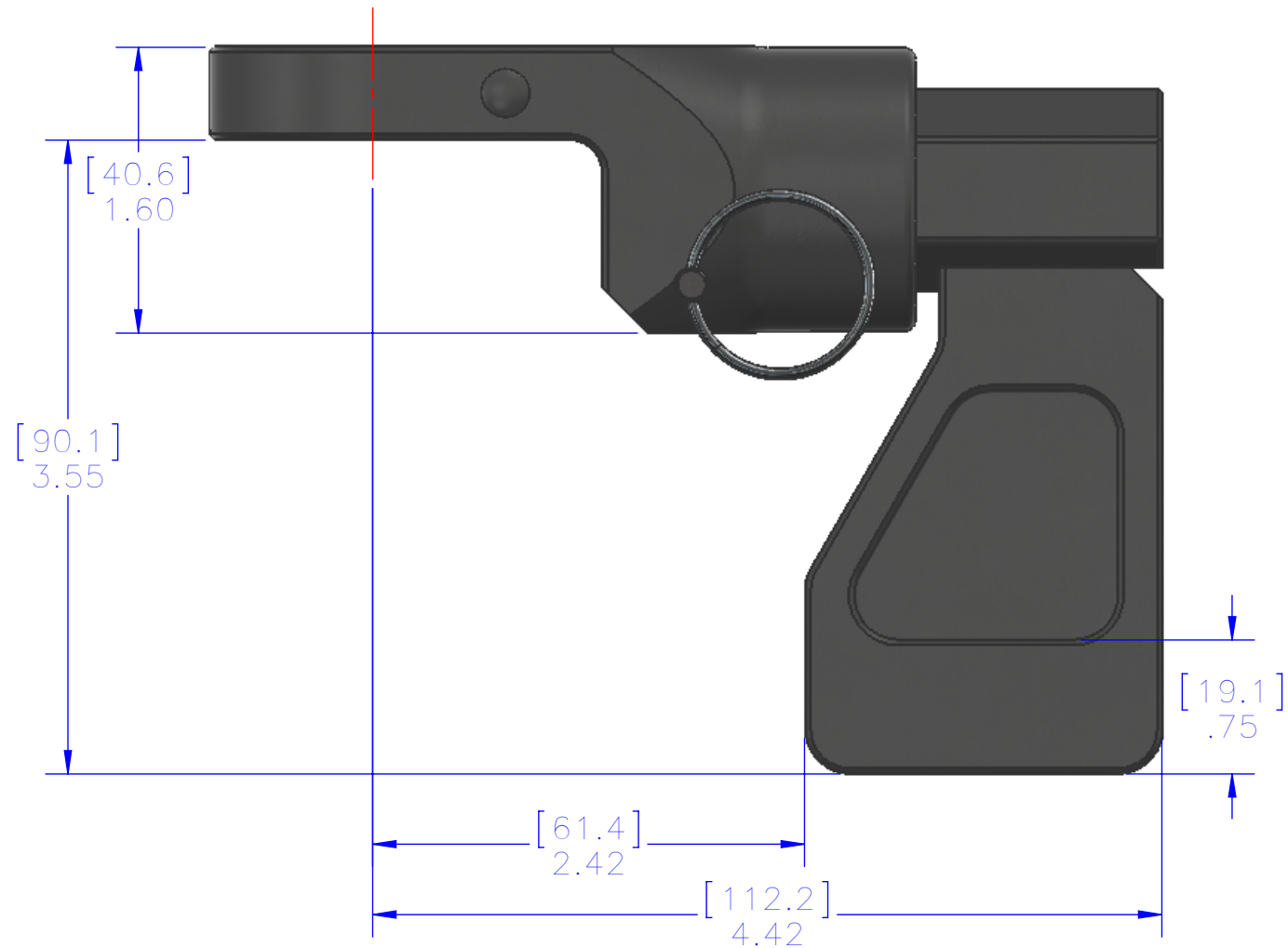


REVISIONS			
REV.	DESCRIPTION OR ECN	APP	DATE
A	RELEASED FOR PRODUCTION		



SCALE 1 : 2



NOTES:
1.REMOVE ALL BURRS AND BREAK SHARP EDGES

PROPRIETARY AND CONFIDENTIAL
This drawing is the property of the UNEX Corporation and the informationthereon is to be treated as confidential.It is not to be used, copied or disclosed tooutside parties without our written consent.

© 2010 HYTORC, DIV. UNEX CORP.			
TITLE: DEEP WELL FIXTURE LION .25			
HYTORC <i>Since 1968</i>			
DRAWN: CJI	CHECKED:		
DATE: 9/21/16	APPROVED:		
SIZE B	DWG. NO. LION.25-HXA-DW-DIM	REV A	