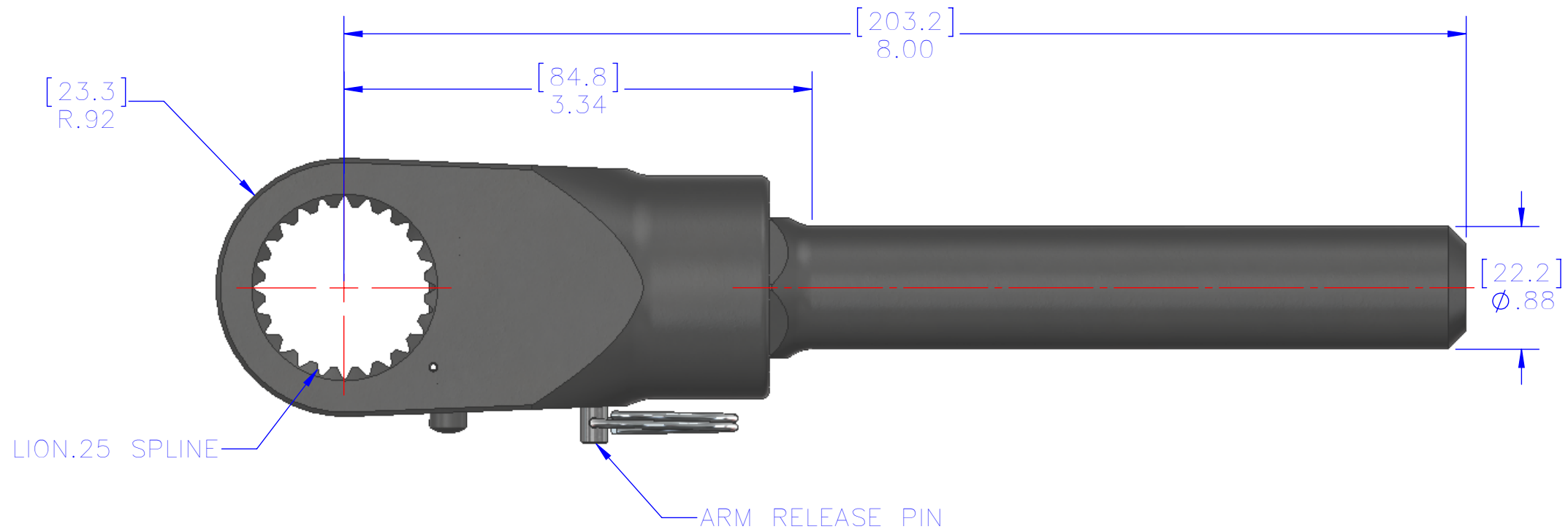
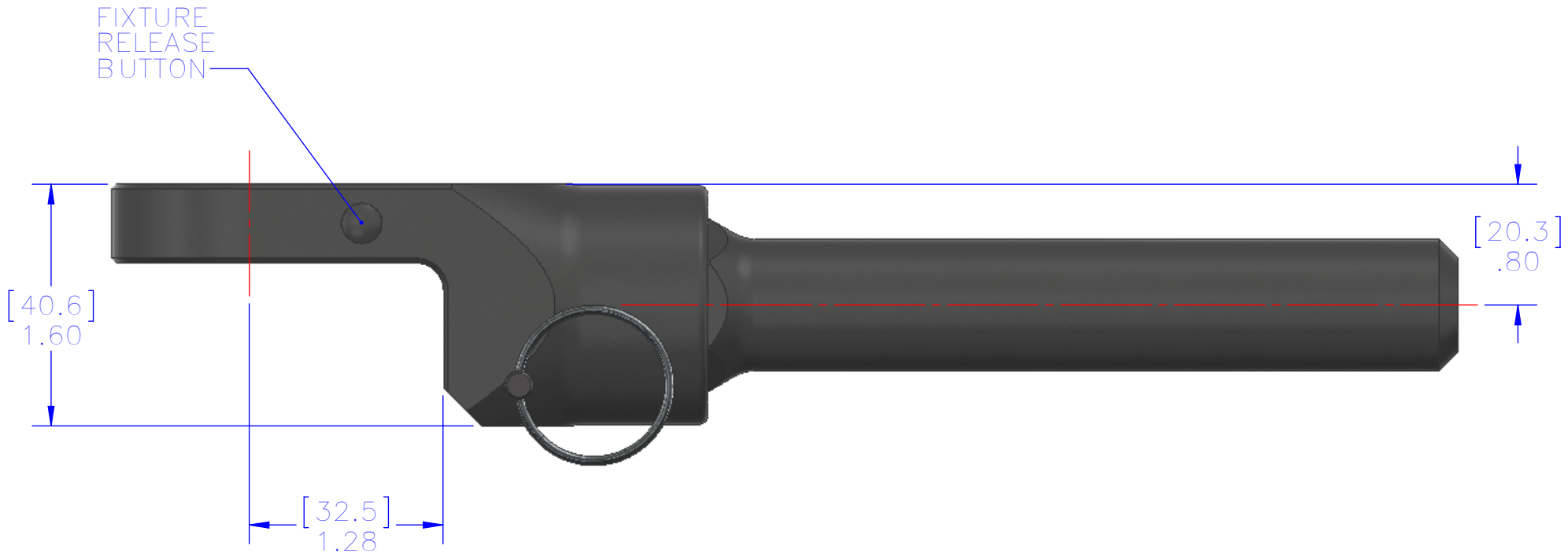


REVISIONS			
REV.	DESCRIPTION OR ECN	APP	DATE
A	RELEASED FOR PRODUCTION		



SCALE 1 : 2



© 2010 HYTORC, DIV. UNEX CORP.

TITLE: ALCO ARM FIXTURE
LION .25

HYTORC *Since 1968*

PROPRIETARY AND CONFIDENTIAL
This drawing is the property of the UNEX Corporation and the information thereon is to be treated as confidential. It is not to be used, copied or disclosed to outside parties without our written consent.

DRAWN: CJI
DATE: 9/21/16
CHECKED: _____
APPROVED: _____

SIZE DWG. NO. REV
B LION.25-HXA-ALCO-DIM A