

HYTORC[®]
2017 Pneumatic Edition *Since 1968*





About HYTORC

HYTORC's mission is to optimize safety, quality and schedule in industrial bolting through innovative solutions, and an unyielding commitment to world class customer service.

Innovating Bolting Since 1968

HYTORC makes industrial bolting safer and simpler. With nearly 50 years of experience focused entirely on developing the highest quality industrial bolting systems, HYTORC is the most trusted name in the industry. From steel mills and mining equipment to refineries, power plants, and wind turbines; we have developed solutions for every bolting application imaginable. For custom projects, our highly experienced engineering team is at your service to design the most efficient solution for your job with simple operation and economical pricing in mind.

We are consistently improving upon existing products, and developing new tools, based on feedback from the people that use our tools every day. Our latest product line features patented industry-firsts like hands-free operation to keep tool operators at a safe distance from the application, onboard documentation systems to provide job accountability and assurance, and industry-leading bolt load accuracy to reduce nut loosening and joint failure.

With authorized repair facilities located all over the world, fast and professional service is always available. All of our products are covered by our worldwide industry-leading one year warranty coverage. Our latest bolting systems are guaranteed to stop leaks on pressurized vessels and eliminate unwanted nut loosening. Our mission is to make our customers' jobs as safe and hassle-free as possible.



Table of Contents

Pneumatic

01 - Digital jGun.....	06
01.01 - Digital Readout	
01.02 - Built-In Torque Adjustment	
01.03 - Industrial-Grade Motor	
01.04 - Technical Data	
02 - jGun Single Speed.....	08
02.01 - Powerful Breakout	
02.02 - Repeatable Torque	
02.03 - Ergonomic Design	
02.04 - Technical Data	
03 - jGun Dual Speed.....	10
03.01 - 3-IN-1 Bolting System	
03.02 - Intuitive Design	
03.03 - Wheel Gun Accessory	
03.04 - Technical Data	

Notes

04 - Notes.....	12
-----------------	----

Comparison Charts



ICE (PG. 10) **Avanti** (PG. 12) **MXT** (PG. 14) **EDGE** (PG. 16) **Stealth** (PG. 18) **XLCT** (PG. 20) **Versa** (PG. 22)

Multi-direction hose swivel	✓	✓	✓	✓	✓	✓	✓
Torque accuracy within 5%	✓	✓	✓	✓	✓	✓	✓
Torque output up to 35,000 ft-lbs		✓	✓	✓	✓	✓	✓
Torque output beyond 35,000 ft-lbs		✓				✓	
Lock-on release	✓	✓	✓		✓	✓	
Hands-free bolting	✓*	✓*			✓		
Industry leading safety	✓*	✓*			✓*		
Industry leading load accuracy	✓*	✓*			✓*		
Auto pressure release	✓						
Total freedom swivel	✓						



Digital jGun (PG. 24) **jGun Single Speed** (PG. 26) **jGun Dual Speed** (PG. 28) **Flash Gun** (PG. 30) **Lithium Gun** (PG. 32) **LION Gun** (PG. 34)

Industrial grade gearbox	✓	✓	✓	✓	✓	✓
Repeatability within 5%	✓	✓	✓	✓	✓	✓
Torque output up to 3,000 ft-lbs		✓	✓	✓	✓	
Torque output beyond 3,000 ft-lbs	✓	✓	✓	✓		
Industry leading safety	✓*	✓*	✓*	✓*	✓*	✓*
Industry leading accuracy	✓*	✓*	✓*	✓*	✓*	✓*
Dual speed rundown/torque			✓	✓	✓	
Onboard tool readout	✓			✓	✓	✓
Lock-on release				✓	✓	✓
Built-in job documentation				✓	✓	✓
Wireless/hoseless operation					✓	✓
Built-in cycle counter	✓			✓	✓	✓
Operation below 75dB	✓	✓**	✓**	✓	✓	✓

* When used with a hytorc washer system

** When used with optional silencer system



DIGITAL jGUN

The new digital jGun series from HYTORC is the world's first torque-adjustable pneumatic multiplier with a digital readout and FRL-free operation. Unlike other systems that require a separate filter, regulator and lubrication system between the air line and the tool, the patented design of the digital jGun eliminates the need for this add-on for the highest level of portability and convenience.

Digital Readout

01.01



The digital jGun is the world's first industrial torque multiplier with a digital readout for instant confirmation of selected torque. No more pressure-to-torque conversions or calculations. Select between ft-lbs and Nm.

Built-In Torque Adjustment

01.02



The Digital jGun is the first of its kind with an onboard air regulator for simple torque adjustment with a twist of the connector at the bottom of the handle. Especially convenient when switching from tightening to loosening, giving you the ability to quickly adjust to full power for fast and easy break-out.

Industrial-Grade Motor

01.03



The new motor featured in the Digital jGun is a workhorse designed for heavy industrial use. With maximum power to weight and a rugged corrosion resistant design, this motor eliminates the need for separate air filters and lubrication systems making the Digital jGun the most portable air powered torque gun on the market.

Technical Data

01.04



Model	H (Inch)	W (Inch)	L (Inch)	D (Inch)	Drive (Inch)	Weight (Lbs)	Torque (ft-lbs)	
							MIN.	MAX.
DJ - .25	7.55	3.12	6.95	2.50	3/4	8.25	50	250
DJ - .5	7.55	3.12	8.03	2.58	3/4	8.85	135	500
DJ - 1	7.55	3.12	8.79	2.58	3/4	9.80	350	1,150
DJ - 2	8.09	3.23	10.79	3.25	1	16.50	540	2,090
DJ - 3	8.09	3.23	11.46	3.25	1	17.70	856	3,180
DJ - 5	8.09	3.23	12.26	4.15	1 1/2	28.30	1,150	5,050
DJ - 8	8.09	3.23	13.49	4.56	1 1/2	38.40	1,825	7,900



jGUN SINGLE SPEED

The jGun Single Speed is the simple choice for air-powered industrial bolting. With industry-leading power-to-weight and a breakout force that overcomes corroded and damaged nuts, this tool takes over where impact guns and breaker bars don't cut it.

Powerful Breakout

02.01



The jGun provides continuous power with no kickback to break out the nuts that other systems can't tackle. Impact guns have tremendous vibration and noise and have been banned on many job sites. The jGun uses precision gearing and a simple reaction fixture to give you maximum power without the noise and vibration.

Repeatable Torque

02.02



For maximum joint integrity, all of the bolts on a connection need to have an even and accurate load. The jGun system provides adjustable and repeatable torque to ensure that the bolted joint is assembled right the first time and keeps the torque over time.

Ergonomic Design

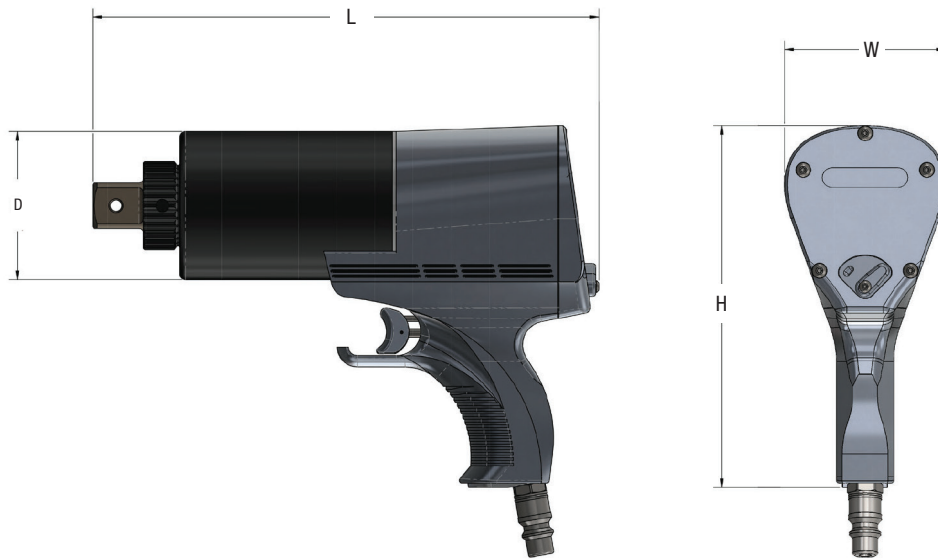
02.03



The jGun series is built using aerospace materials for lightweight design with maximum durability. The comfort grip and available silencer ensure that the tool operator is comfortable, even on all day jobs

Technical Data

02.04



Model	H (Inch)	W (Inch)	L (Inch)	D (Inch)	Drive (Inch)	Weight (Lbs)	Torque (ft-lbs)	
							MIN.	MAX.
J - .25	7.06	2.72	7.15	2.50	$\frac{3}{4}$	7.20	48	259
J - .5	7.32	2.74	8.07	2.58	$\frac{3}{4}$	7.20	129	508
J - 1	7.32	2.74	8.82	2.58	$\frac{3}{4}$	10.00	301	1,231
J - 2	7.94	3.53	10.46	3.25	1	14.50	521	2,190
J - 3	7.94	3.53	11.11	3.25	1	15.75	852	3,104
J - 5	8.03	4.15	12.24	4.15	$1\frac{1}{2}$	20.05	1,150	5,266
J - 8	8.46	4.23	13.00	4.56	$1\frac{1}{2}$	26.50	1,743	7,924



jGUN DUAL SPEED

For fast run down and powerful torque capability, the Dual Speed jGun Series is the industry's most reliable choice.

3-IN-1 Bolting System

03.01



The jGun Dual Speed is the only pneumatic multiplier that gives you the flexibility to use it for rundown, final torque and heavy duty breakout. A simple twist of the collar switches the tool from high speed rundown mode into the max power mode with adjustable torque so you can choose the right output for your job.

Intuitive Design

03.02



This robust tool eliminates the need for multiple systems making training simpler and reducing the chance for operator error. When multiple systems are used to assemble a bolted joint there is more chance for operator error. The jGun Dual Speed makes the job simpler by giving operators one easy to use system that can be used from start to finish.

Wheel Gun Accessory

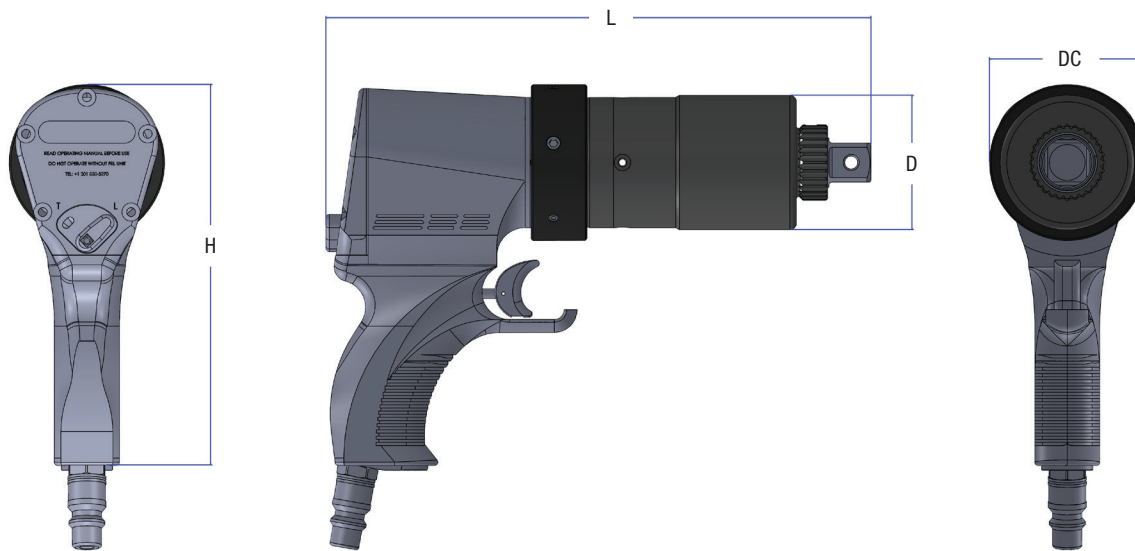
03.03



The wheel gun accessory is the obvious choice for wheel bolting and all nuts and bolts in confined spaces. The powerful extension system delivers the desired torque without compromise to power or durability. With industry-leading repeatability and intuitive design, job integrity is always assured.

Technical Data

03.04



Model	H (Inch)	L (Inch)	D (Inch)	DC (Inch)	Drive (Inch)	Weight (Lbs)	Torque (ft-lbs)	
							MIN.	MAX.
J - A.5 - AP	7.40	10.03	2.58	2.99	3/4	9.04	194	502
J - A1 - AP	7.40	10.76	2.58	2.99	3/4	9.70	312	1,272
J - A2 - AP	8.42	12.51	3.25	4.48	1	15.00	520	2,039
J - A3 - AP	7.50	12.48	3.25	3.19	1	12.00	830	3,072
J - A5 - AP	8.42	14.65	4.15	4.48	1 1/2	22.50	1,215	5,007
J - A8 - AP	8.46	15.38	4.56	4.48	1 1/2	28.75	2,079	8,282



HYTORC WORLD HEADQUARTERS

MAHWAH, NJ, +1-201-512-9500

WORLDWIDE LOCATIONS

ADVANCED BOLTING SOLUTIONS P. LTD

NAVI MUMBAI, INDIA, +91-22-4171-4444

HYTORC BRAZIL

RIO DE JANEIRO, BR, +55-21-2621-1911

HYTORC OF CHINA

SHANGHAI, +86-21-6254-0813

HYTORC MIDDLE EAST

UAE, +44-7436-549468

HYTORC CENTRAL EUROPE & RUSSIA

PERCHTOLDSORF, AU, +43-1-86-51-368

HYTORC JAPAN

SUGINAMI-KU, TYO, +81-3-3314-3315

HYTORC UK

CRAMLINGTON, NB, +44-1-670-363800

HYTORC OF KOREA

KYUNGGI-DO, +82-31-708-0850

HYTORC AUSTRALIA

ADELAIDE, SOUTH AUSTRALIA, +61-8-8293-8411

HYTORC SOUTH AFRICA

MOUNT EDGECOMBE, DUR, +27-(0)315023119

HYTORC SINGAPORE

SINGAPORE, +65-689-789-95

HYTORC LATIN AMERICA

MARIA DE LA PIEDAD, CTZ, +52-921-21-52760

**HYTORC has representatives in every area of
the world. To find your nearest location visit:**

hytorc.com/world

E: info@hytorc.com

P: +1-201-512-9500