



THE MOST AWARD-WINNING ELECTRIC TORQUE MULTIPLIER

(See page 3 for details.)

LITHIUM SERIES® II Electric Torque Tool

The LITHIUM SERIES® II Electric Torque Tool is the next revolution in bolting technology redesigned from the ground up with expanded functionality, greater durability, and intuitive usability. This lightweight 36 Volt battery powered tool, with capacity up to 5,000 ft-lbs, is the ultimate solution for strength and portability in industrial bolting jobs worldwide. This tool is compatible with conventional sockets, the HYTORC Washer, and the HYTORC Nut.

FEATURE LIST



- **TorcSense™ Technology**
- **Brushless Motor**
- **All Aluminum Housing**
 - High Strength Gearbox
 - Nickel Plated
 - Rear Shock Guard
 - Work Light
 - High Resolution Display
- **Directional Switch**
- Snug Function
- **Intuitive User Interface**
 - Access Levels
 - Data Acquisition
- **Bluetooth Wireless Technology**
 - Expanded Job Data Management
 - Advanced Bolting Features
- **Compatible with HYTORC Nut**
- **Compatible with HYTORC Washer**

▪ Look inside for detailed information about the highlighted features above.

TESTIMONIAL

"I HAVE BEEN AROUND PLENTY OF BOLTING TOOLS, SEEN MANY TOOLS USED. BUT THIS IS REALLY COOL! IT'S LIGHTER THAN I EXPECTED, IT'S REALLY FOOL PROOF, AND SO SIMPLE THAT ANYONE CAN GET THE JOB DONE. THE GUYS ARE GOING TO BE ABLE TO WORK LONGER AND SAFER, WHILE STILL GETTING THE JOB DONE RIGHT. I LOVE IT!"

Kyle Chambers
Texas Quality Assurance



TorcSense™ Technology



A direct torque measurement system utilizing a strain based transducer in a closed loop monitoring system provides more repeatable torque and enables advanced bolting features.

BRUSHLESS 36V DC MOTOR



The tool uses an all new 36V brushless DC motor which runs cooler, quieter, and has significantly longer life.

INTUITIVE USER INTERFACE



The home screen and menu structure have been redesigned with all new icons, indicators, and simple navigation layout making the tool intuitive and simple to use.

HYTORC



AWARD-WINNING DESIGN

PRO TOOL INNOVATION AWARD 2019



This award honors the LITHIUM SERIES II Tool as the very best and brightest industrial power tool available.

GOOD DESIGN AWARD 2019



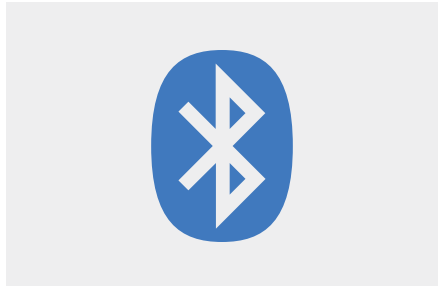
This award honors the LITHIUM SERIES II Tool as the leader in design with innovation that has pushed the envelope in the world marketplace.

SPOTLIGHT ON NEW TECHNOLOGY 2019



This award recognizes the LITHIUM SERIES II Tool as a new and innovative technology that will make a major impact in the oil and gas industry.

BLUETOOTH WIRELESS TECHNOLOGY



Now standard with Bluetooth wireless technology, the tool makes data transfer easier than ever! Job data and tool firmware upgrades can now be performed wirelessly.

MULTIPLE TOOL CONFIGURATIONS



The tool is easily configured for conventional sockets and reactions arms, the HYTORC Washer System, and precision mechanical tensioning with the HYTORC Nut.

HY-CARE



HY-CARE Service Plans* provide peace of mind protection and offer a no deductible plan to protect you from unexpected bolting equipment repair costs and downtime after your standard equipment warranty expires. On average, a tool with HY-CARE lasts up to five times longer in service. Never settle for less.

*May not be available in all locations. Please contact your local HYTORC representative for more information.

VISIT US ONLINE

- hytorc.com/hy-care
- hytorc.com/customer-service-policy
- hytorc.com/about-us

ALL-ALUMINUM HOUSING

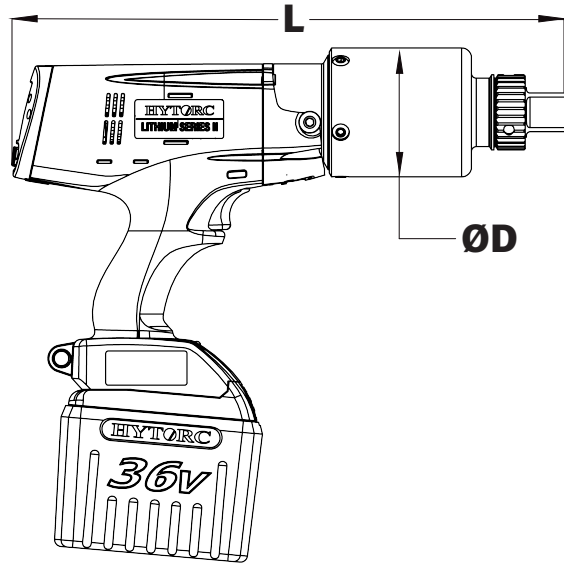
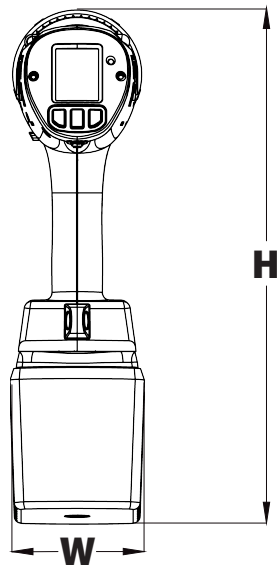


The new all-aluminum housing vastly improves impact resistance and durability protecting the tool's vital components. The gearbox is also nickel plated for corrosion resistance.

DIRECTIONAL SWITCH



Conveniently located near the trigger, the sliding directional switch can quickly change drive direction from tighten and loosen with a simple push of a button.



LEGEND: H = HEIGHT W = WIDTH L = LENGTH ØD = DIAMETER

CONFIGURATIONS	H	W	L	D	DRIVE	WEIGHT W/ BATTERY	SNUG		TORQUE	
IMPERIAL	in.					lbs.	ft-lbs (Min)	ft-lbs (Max)	ft-lbs (Min)	ft-lbs (Max)
LST-0700	12.9	3.5	11.4	2.6	3/4	11.7	35	149	150	700
LST-1200	12.9	3.5	11.7	2.6	3/4	12.0	60	199	200	1,200
LST-2000	13.2	3.5	13.9	3.2	1	16.6	100	324	325	2,000
LST-3000	13.3	3.5	14.4	3.4	1	17.7	150	499	500	3,000
LST-5000	16.6	4.0	15.4	4.0	1-1/2	22.4	200	799	800	5,000
METRIC	mm				in.	kg	Nm (Min)	Nm (Max)	Nm (Min)	Nm (Max)
LST-0700	328	89	290	66	3/4	5.3	47	202	203	949
LST-1200	328	89	297	66	3/4	5.5	81	270	271	1627
LST-2000	335	89	353	81	1	7.5	135	439	440	2712
LST-3000	338	89	366	86	1	8.0	203	676	677	4067
LST-5000	422	102	391	102	1-1/2	10.2	270	1083	1085	6779

COMPLETE KIT CONTENTS

- LITHIUM SERIES II Tool
- Reaction Arm
- Storage Case
- 36V Battery
- Battery Charging System
- Side Handle
- Calibration Certificate
- Operation Manual

LST

Model:
LITHIUM SERIES TOOL

Capacity:
Available: 0700, 1200,
2000, 3000, 5000

Communication:
Blank: Bluetooth Communication
U: USB Only

Examples:

1. LST-0700 standard tool, 700 ft-lb capacity, with Bluetooth Communication
2. LST-0700-U standard tool, 700 ft-lb capacity, without Bluetooth – USB Connection Only

HYTORC owns all content, copyrights, trademarks and patents in this document. © 2020 HYTORC. Any unauthorized use or distribution of any material from this document is strictly prohibited.



Headquarters:
333 Route 17 N., Mahwah, NJ 07430
+1-201-512-9500

Email:
info@hytorc.com

Phone:
1-800-FOR-HYTORC

Online:
hytorc.com