



**The proven low clearance system from HYTORC®**  
*The only tool with a 360° x 360° hydraulic connection*



# **XLCT**

**hydraulic torque wrench**

Compact and with torque output of up to 110,000 Nm.

Drive cylinder and ratchet links designed for the full tool torque.

The hydraulic connection on the cylinder end can be rotated by 360° axially and 360° radially.

Safety screw and plug coupling for high output.

Drive pawl system for a constant rotating angle.

Exchangeable ratchet links with a hex or 12-point adapter.

All wrench widths are available in metric or inch dimensions, also for all special variants.

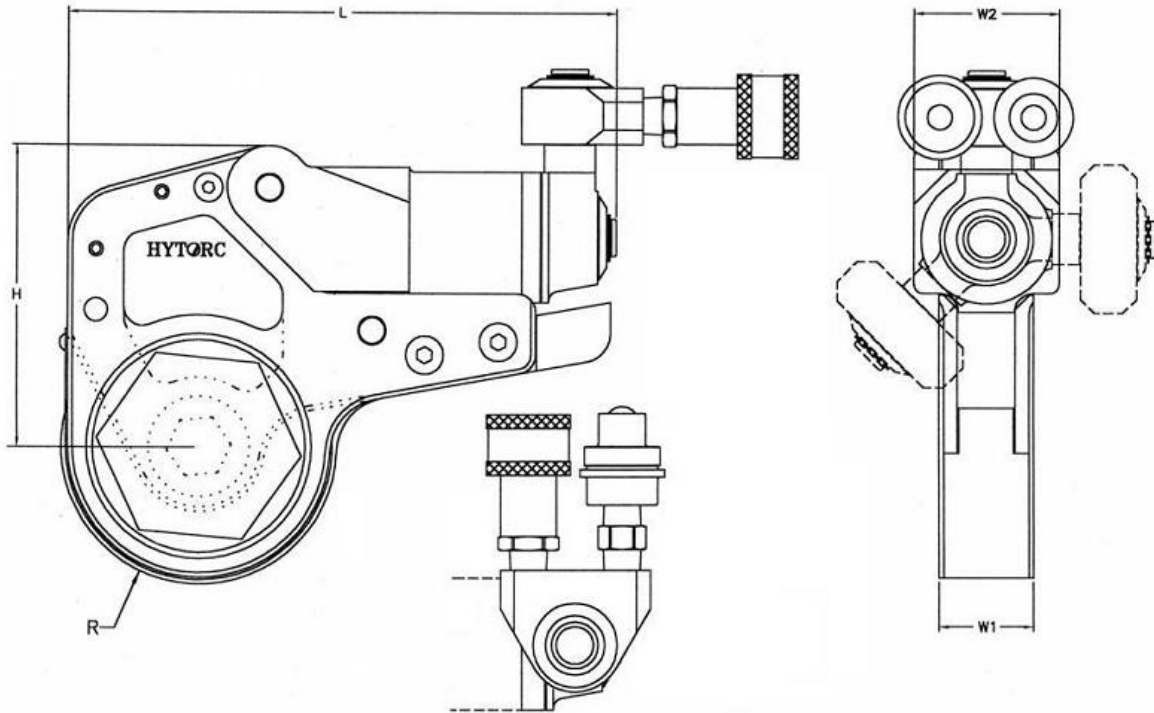


The XLCT low clearance wrenches are part of a proven generation from HYTORC<sup>®</sup>. HYTORC has realized numberless developments and special variants of the XLCT construction series during the past few years. These have been to the full satisfaction of all customers.

The quick exchange of ratchet links assures the best fit for a large spectrum of bolt connections. And that up to SW 295 and clearly more van 110.000 Nm. At the same time, all XLCT torque tensioners can be used both for torque-controlled tightening and for torque & angle controlled tightening procedures.

In combination with a variety of hydraulic pump units, the XLCT tools can also be used for yield-point tightening procedures. All of this is available with an uninterrupted documentation of all bolting processes.

### Dimensions



XLCT Type / Model	XLCT-2	XLCT-4	XLCT-8	XLCT-14	XLCT-18	XLCT-30
Torque [Nm] min.	329	786	1,549	2,724	3,628	6,207
Torque [Nm] max.	2,287	5,226	11,049	18,165	24,191	42,005
Ratchet Link [mm]	See next page					
Ratchet Link [inch]	See next page					
Radius R [mm]	See next page					
Weight [kg]	2.4	5.3	9.3	16.6	19.5	31.3
Length L [mm]	186.2	256.2	306.8	359.2	366.1	426.8
Height H [mm]	128.3	166.2	197.3	235.3	270.7	310.7
Width W1 [mm]	32.0	42.7	52.9	63.5	71.7	84.7
Width W1 [mm]	50.0	65.6	82.0	92.2	111.3	131.2

### Dimensions of the ratchet links

	Size	#1	#2	#3	#4	#5
XLCT-2	SW	27MM	30MM	36MM	41MM	46MM
	SW	1"1/8	1"1/4	1"7/16	1"5/8	1"13/16
	Radius	25.4	27.43	29.97	32.77	35.56

XLCT-4	SW	36MM	41MM	46MM	50MM	55MM
	SW	1"7/16	1"5/8	1"13/16	2"	2"3/16
	Radius	33.02	35.81	38.61	41.4	44.2

XLCT-8	SW	50MM	55MM	60MM	65MM	70MM
	SW	2"	2"3/16	2"3/8	2"9/16	2"3/4
	Radius	44.20	46.99	49.78	52.58	55.37

XLCT-14	SW	70MM	75MM	80MM	85MM	90MM
	SW	2"3/4	2"15/16	3"1/8	3"3/8	3"1/2
	Radius	58.42	61.21	64.26	67.31	69.85

XLCT-18	SW	75MM	80MM	90MM	100MM	110MM
	SW	2"15/16	3"1/8	3"1/2	3"7/8	4"1/4
	Radius	64.52	67.31	73.15	78.99	84.84

XLCT-30	SW	90MM	100MM	110MM	120MM	130MM
	SW	3"1/2	3"7/8	4"1/4	4"5/8	5"
	Radius	75.69	81.53	87.38	93.22	102.87

	Size	#6	#7	#8	#9	#10	#11
XLCT-2	SW	50MM	55MM	60MM	65MM		
	SW	2"	2"3/16	2"3/8	2"9/16		
	Radius	39.21	41.15	43.94	48.01		

XLCT-4	SW	60MM	65MM	70MM	75MM	80MM	
	SW	2"3/8	2"9/16	2"3/4	2"15/16	3"1/8	
	Radius	46.99	49.78	52.58	55.37	58.42	

XLCT-8	SW	75MM	80MM	85MM	90MM	95MM	100MM
	SW	2"15/16	3"1/8	3"3/8	3"1/2	3"3/4	3"7/8
	Radius	58.42	61.21	64.26	67.06	70.10	42.90

XLCT-14	SW	95MM	100MM	105MM	110MM	120MM
	SW	3"3/4	3"7/8	4"1/8	4"1/4	4"5/8
	Radius	73.15	75.69	78.74	81.53	87.38

XLCT-18	SW	120MM	130MM	135MM	145MM
	SW	4"5/8	5"	5"3/8	5"3/4
	Radius	90.42	100.33	100.33	105.92

XLCT-30	SW	135MM	145MM	155MM
	SW	5"3/8	5"3/4	6"1/8
	Radius	102.87	108.46	114.05

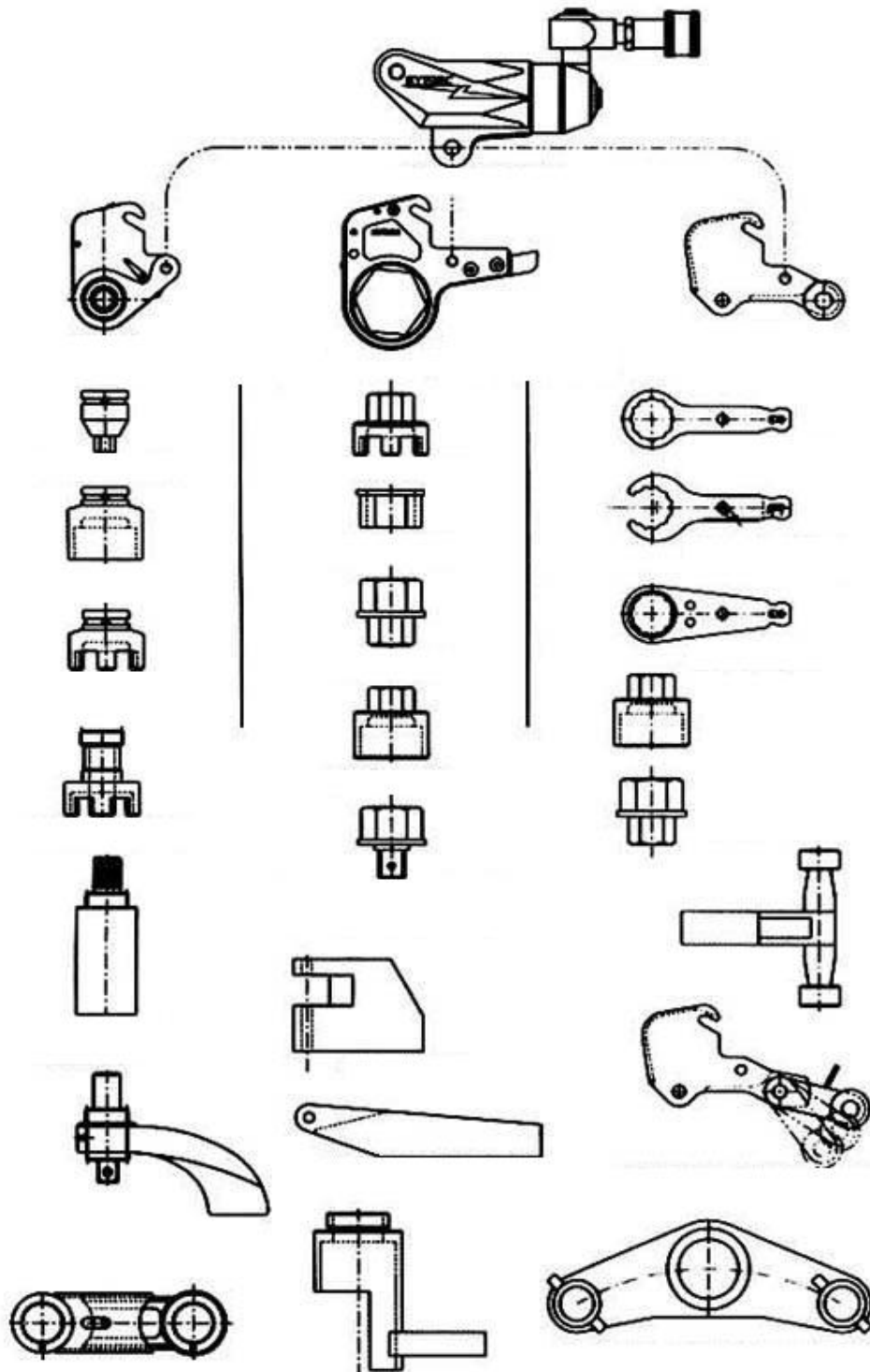
## Head radius of ratchet links

SW	XLCT-2	XLCT-4	XLCT-8	XLCT-14	XLCT-18	XLCT-30
19	25.40					
22	25.40					
24	25.40					
27	25.40	33.02				
30	27.43	33.02	44.20			
32	27.43	33.02	44.20			
36	29.97	33.02	44.20			
41	32.77	35.81	44.20	58.42		
46	35.56	38.61	44.20	58.42		
50	39.21	41.40	44.20	58.42	64.52	
55	41.15	44.20	46.99	58.42	64.52	
60	43.94	46.99	49.78	58.42	64.52	
65	48.01	49.78	52.58	58.42	64.52	75.69
70		52.58	55.37	58.42	64.52	75.69
75		55.37	58.42	61.21	64.52	75.69
80		58.42	61.21	64.26	67.31	75.69
85			64.26	67.31	73.15	75.69
90			67.06	69.85	73.15	75.69
95			70.10	73.15	78.99	81.53
100			42.90	75.69	78.99	81.53
105				78.74	84.84	87.38
110				81.53	84.84	87.38
115				87.38	90.42	93.22
120				87.38	90.42	93.22
125					96.01	98.81
130					100.33	102.87
135					100.33	102.87
140					105.92	108.46
145					105.92	108.46
150						114.05
155						114.05
160						XLCT45/60
165						XLCT45/60
170						XLCT45/60
175						XLCT45/60
180						XLCT45/60
185						XLCT45/60
190						XLCT45/60
195						XLCT45/60
200						XLCT45/60

All dimensions are in MILLIMETERS.

If not indicated to the contrary, all ratchet links are designed for full torque.

Accessory possibilities





### Typical applications



**HYTORC-XLCT with the patented square adapter drive system - also deployable with DISC and CLAMP.**



**XLCT2-SIMULTORC with DISC on a BASF container**



**XLCT-2 in wind power**



**XLCT-2 with SW 65 in tight struts**



**XLCT - TwinTORC without a reaction arm**