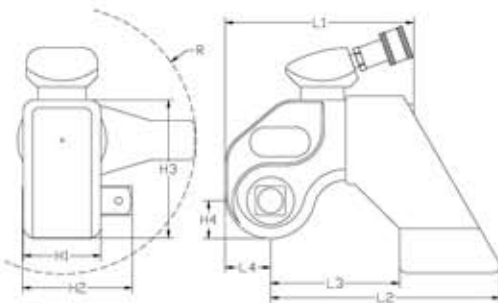


EDGE

hydraulic torque wrench



FEATURES:

Just 3 moving parts
Anti-lock ratchet
Uni-body housing
360 degree swivel

More turns per stroke
Industrial grade Tital steel
360° adjustable reaction arm
Priced below all comparable

Model	EDGE-06	EDGE-2	EDGE-4	EDGE-8	EDGE-12	EDGE-30
Torque (ft-lb)	106-710	175-1,150	455-3,015	1,230-8,555	1,650-11,000	4,447-29,646
Weight (lb)	2.4	4.6	10.1	25.8	30.5	N/A
L1 (in)	4.08	4.9	6.37	8.66	9.56	13.51
L2	4.95	5.94	7.76	10.53	11.64	16.62
L3	2.77	3.39	4.37	5.92	6.54	9.35
L4	0.99	1.15	1.53	2.06	2.28	3.28
H1	1.644	1.973	2.630	3.570	3.945	5.641
H2	2.457	2.76	3.71	5.16	5.54	8.21
H3	2.96	3.51	4.68	6.54	7.03	10.08
H4	0.83	0.96	1.25	1.83	1.92	2.77
R	2.83	3.36	4.49	6.09	6.74	9.70

ALL TOOLS COME WITH A ONE YEAR NO-QUESTIONS-ASKED WARRANTY
24/7 CUSTOMER SUPPORT AND FREE LOANERS AVAILABLE TO ALL CUSTOMERS