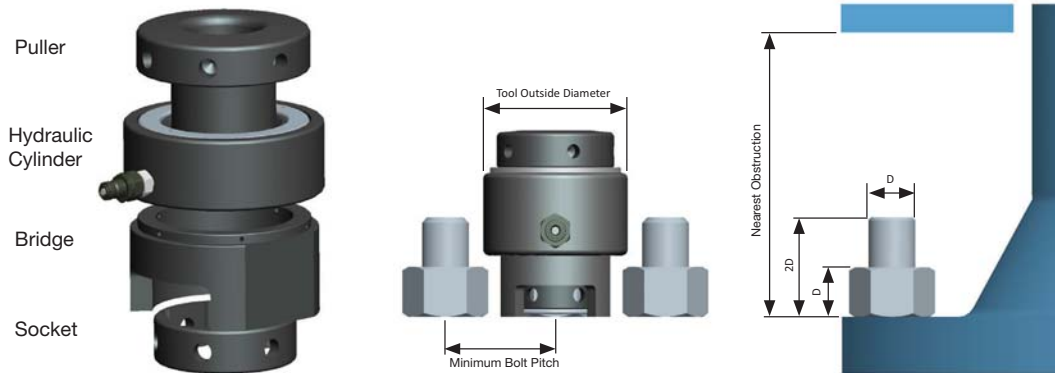


HYDRAULIC BOLT TENSIONING

Hydraulic Bolt Tensioning Tools (1500 bar)



Inch sizes (metric sizes also available)

Tool No	Bolt Diameters	Stroke	Hydraulic Area	Max Load		Tool Outside Dia	Min Bolt Pitch	Nearest Obstruction
				kN	lbf			
	inches	mm	mm ²			mm	mm	mm
21	3/4	12	1,555	233	52,380	73	53	145
	7/8							
	1							
	1-1/8							
22	*1-1/8*	15	2,884	433	97,342	105	62	175
	1-1/4							
	1-3/8							
	1-1/2							
23	*1-1/2*	15	5,271	791	177,823	136	83	200
	1-5/8							
	1-3/4							
	1-7/8							
24	2	15	8,445	1,267	284,832	172	104	230
	2							
	2-1/4							
	2-1/2							
25	*2-1/2*	15	12,197	1,830	411,400	200	129	255
	2-3/4							
	3							
26	*3*	15	16,682	2,502	562,471	235	154	288
	3-1/4							
	3-1/2							
	3-1/2							
27	3-3/4	15	17,530	2,629	593,270	245	185	320
	4							

Notes

- Maximum load is generated at the maximum operating pressure of 1500 bar.
- For hoses fittings and pumps request data sheets 601, 602, and 603
- Unless specified inch size tooling will be threaded UNC up to 1 inch and UN8 for 1-1/8 inch upwards.
- Equivalent metric sizes are also available. Specify diameter and thread pitch when ordering.
- This range of tooling has been designed to suit most standard flanges used in the oil and gas industry.
- Each tool comprises one hydraulic cylinder, bridge, puller and socket.
- Extra bridges, pullers and sockets can be purchased to adapt the hydraulic cylinder to fit other bolt sizes.
- All tools are assembled, filled with oil, pressure tested and a test certificate issued prior to despatch.
- Each tool is marked with the maximum operating pressure, load and stroke. All tools are CE marked.
- Any number of tools can be connected together for simultaneous operation.
- Pullers can be machined with other thread forms - specify when ordering.
- Larger bolt sizes are available. Send application details.
- Tools are fitted with self sealing quick connectors.
- Due to continuous product development dimensions may change without notice.

Options available :

- Twin hydraulic connections
- Other thread forms
- Special designs

*Tool size available but non-standard so will have a longer lead time and greater cost than standard tooling. Please contact us for a quotation.

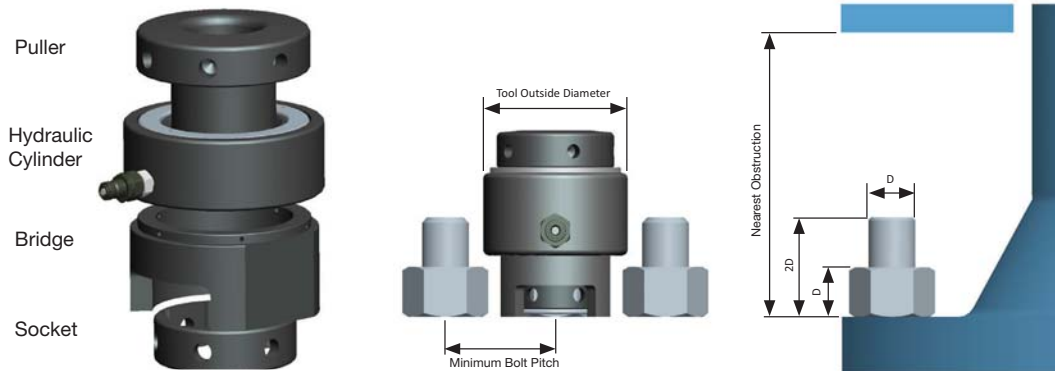


HYTORC

The World's Most Trusted
Industrial Torque and Tension Systems

HYDRAULIC BOLT TENSIONING

Hydraulic Bolt Tensioning Tools (1500 bar)



Metric sizes (inch sizes also available)

Tool No	Bolt Diameters	Stroke mm	Hydraulic Area ² mm	Max Load		Tool Outside Dia mm	Min Bolt Pitch mm	Nearest Obstruction mm
				kN	lbf			
21	M16	12	1,555	233	52,380	73	53	145
	M20							
	M22							
	M24							
	M27							
22	*M27*	15	2,884	433	97,342	105	62	175
	M30							
	M33							
	M36							
	M39							
23	*M39*	15	5,271	791	177,823	136	83	200
	M42							
	M45							
	M48							
	M52							
24	*M52*	15	8,445	1,267	284,832	172	104	230
	M56							
	M64							
25	*M64*	15	12,197	1,830	411,400	200	129	255
	M72							
	M76							
26	*M76*	15	16,682	2,502	562,471	235	154	288
	M80							
	M90							
27	*M90*	15	17,530	2,629	593,270	245	185	320
	M95							
	M100							

Notes

- Maximum load is generated at the maximum operating pressure of 1500 bar.
- For hoses fittings and pumps request data sheets 601, 602, and 603
- Unless specified inch size tooling will be threaded UNC up to 1 inch and UN8 for 1-1/8 inch upwards.
- Equivalent metric sizes are also available. Specify diameter and thread pitch when ordering.
- This range of tooling has been designed to suit most standard flanges used in the oil and gas industry.
- Each tool comprises one hydraulic cylinder, bridge, puller and socket.
- Extra bridges, pullers and sockets can be purchased to adapt the hydraulic cylinder to fit other bolt sizes.
- All tools are assembled, filled with oil, pressure tested and a test certificate issued prior to despatch.
- Each tool is marked with the maximum operating pressure, load and stroke. All tools are CE marked.
- Any number of tools can be connected together for simultaneous operation.
- Pullers can be machined with other thread forms - specify when ordering.
- Larger bolt sizes are available. Send application details.
- Tools are fitted with self sealing quick connectors.
- Due to continuous product development dimensions may change without notice.

Options available :

- Twin hydraulic connections
- Other thread forms
- Special designs

*Tool size available but non-standard so will have a longer lead time and greater cost than standard tooling. Please contact us for a quotation.



HYTORC

The World's Most Trusted
Industrial Torque and Tension Systems