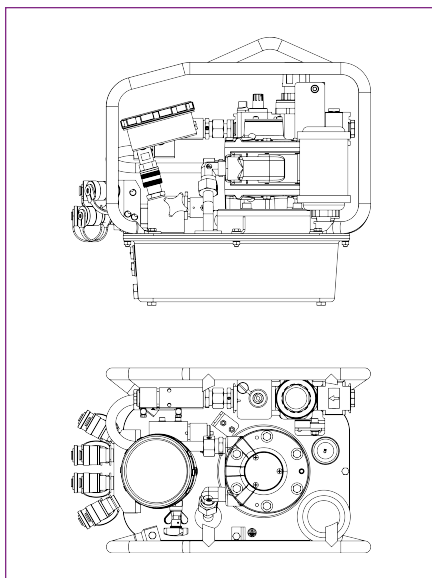


HY-AIR

Our HY-AIR is a 3-stage pump designed to reduce cycle time and improve productivity. A compact design with an optional one or two-gallon reservoir alleviates weight restrictions and offers the operator efficient mobility. Simple controls make for short set-up times and the semi-automatic feature allows the operator to experience faster and easier bolting.



PUMP SPECIFICATIONS AND FEATURES

Power	3,800 cu.in./sec. (62 l/sec.)
Gauge	0-10 k PSI (+/-1% Accuracy)
Reservoir Capacity	1.35 gals. / 5.1 l (2 gals. / 7.6 l tank optional for the HY-115)
Stages	3
Weight	46.3 lbs. / 21 kg
Maximum Oil Flow Rate	770 cu. in./min. / 13 l/min.
Oil Cooler	Yes
Protective Caging	Yes
15' Remote Control	Yes
15' Twin Line Steel Braided Hydraulic Hose	Yes



HYTORC MISSION STATEMENT

HYTORC'S MISSION IS TO OPTIMIZE SAFETY, QUALITY AND SCHEDULE IN INDUSTRIAL BOLTING THROUGH INNOVATIVE SOLUTIONS, AND AN UNYIELDING COMMITMENT TO WORLD-CLASS CUSTOMER SERVICE.

MOBILE SERVICES



Mobile service, maintenance, and on-site training to get you and your tools back on the job faster than ever before.

WORLDWIDE SERVICE



The HYTORC Universe is made up of over 1,000 trained bolting specialists to support your bolting needs in over 100 countries.

THE HYTORC STANDARD



With over 50 years of experience focused entirely on developing the highest quality industrial bolting systems, HYTORC remains committed to higher performance and service and offers superior technology, quality, and support.

The World's Most Trusted Industrial Bolting Systems

HYTORC owns all content, copyrights, trademarks and patents in this document. © 2020 HYTORC. Any unauthorized use or distribution of any material from this document is strictly prohibited.

HYTORC

Headquarters:
333 Route 17 N., Mahwah, NJ 07430
+1-201-512-9500

Phone:
1-800-FOR-HYTORC

Email:
info@hytorc.com

Online:
hytorc.com