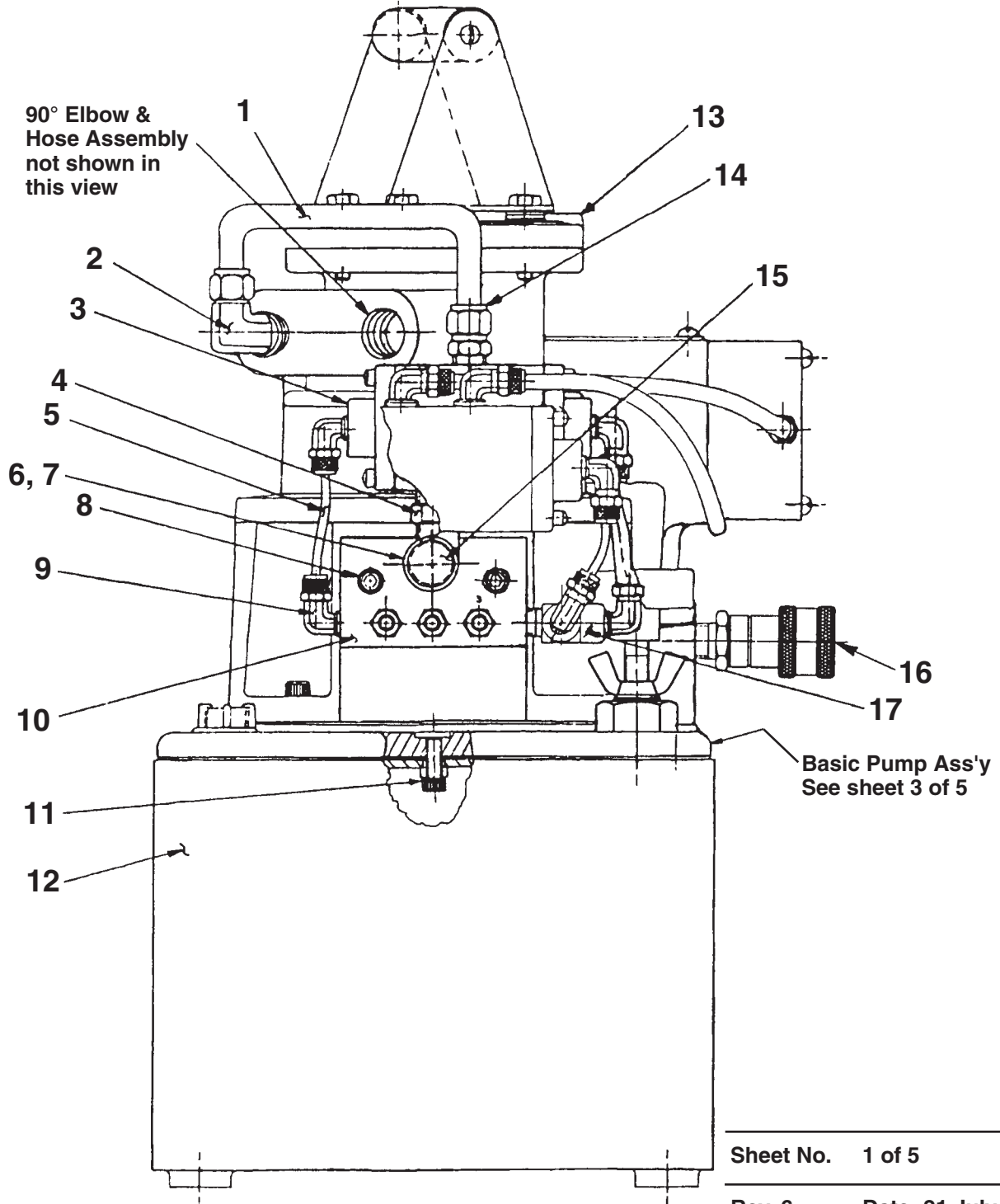


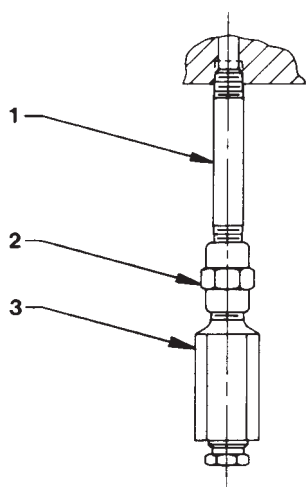
**MODEL C  
HYDRAULIC PUMP  
AIR DRIVEN WITH REMOTE CONTROL  
GENERAL ASS'Y SIDE VIEW**



# Part List, Form No. 100621, Back sheet 1 of 6

Item No.	Part No.	No. Req'd	Description	Item No.	Part No.	No. Req'd	Description
1	303474	1	Copper Tubing	9	250804	6	90° Elbow Fitting
2	17636	1	90° Elbow Fitting	10	350244	1	Air Valve Manifold
3	17565	1	Air Valve	11	10006	1	Soc. Hd. Cap Screw (1/4-20 X 5/8 Lg.)
4	16494	1	Straight Nipple Fitting	12	64364BK2	1	Reservoir
5	14281	.8 ft.	Plastic Tubing	13	*51159	1	Air Motor Ass'y (Prior to 5-1-91; Keyed shaft; See back sheet 2 of 5)
6	10623	1	Tee Fitting	14	17634	1	Straight Fitting
7	12328	1	Straight Fitting (NOTE: Install #12328 Fitting into #10623 Tee Fitting. Install 1/4 NPTF end of #12328 into Port No. 3 of #306033 Air Valve.)	15	11967	1	Plastic Cup
8	10020	2	Cap Screw (1/4-20 X 1-1/4 Lg.)	16	251797	1	Quick Coupler
				17	19463	1	Tee Fitting

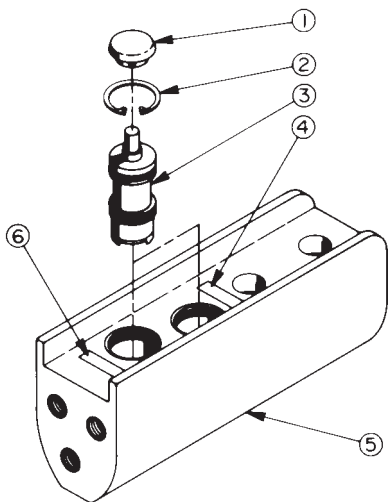
**\*Note: For air motor repair kit, order no. 252100.**



## PRESSURE CONTROL VALVE

NOTE: Set at 1500/1700 PSI

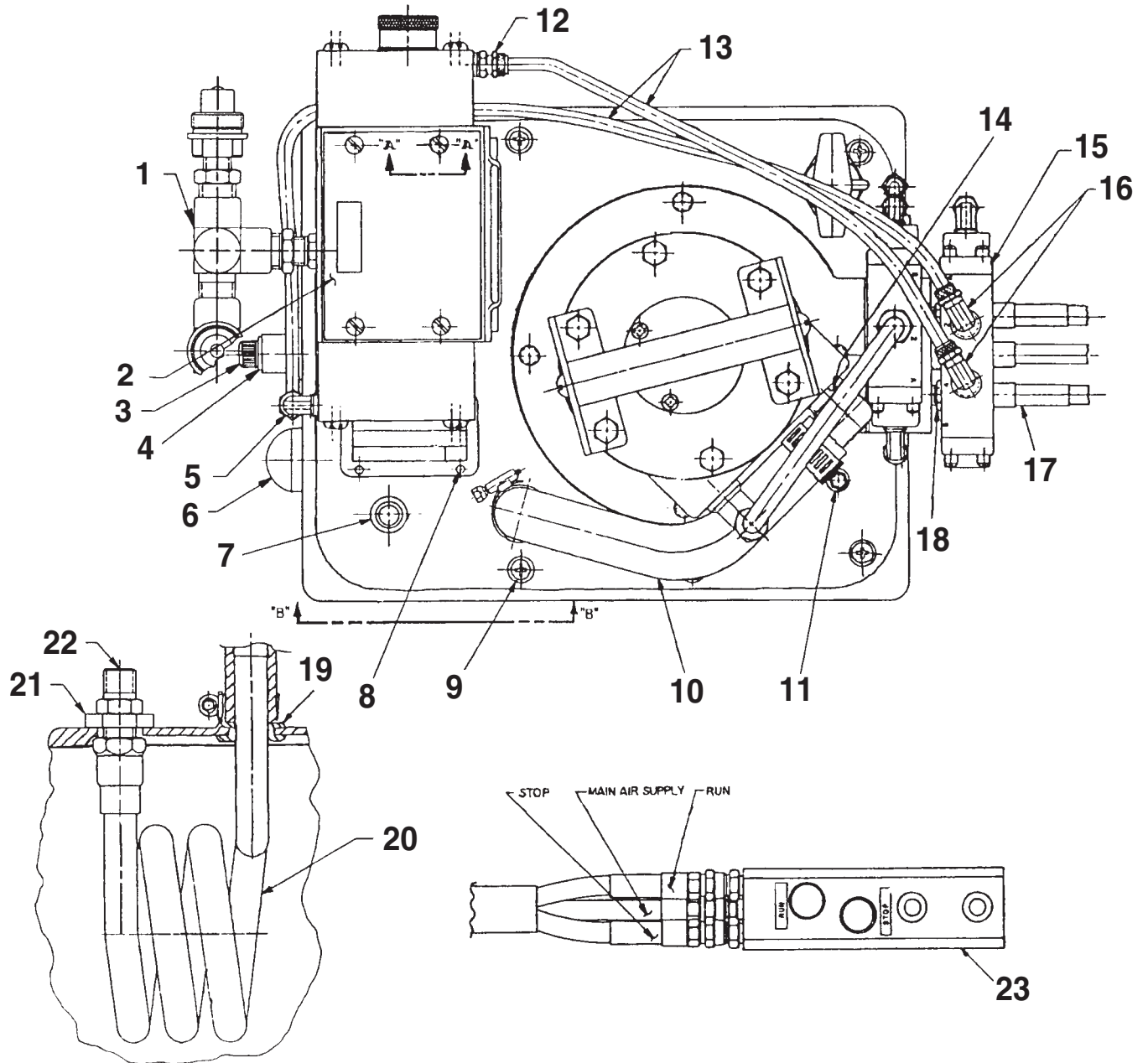
Item No.	Part No.	No. Req'd	Description
1	15456	1	Nipple Fitting
2	18841	1	Straight Fitting
3	21278-15	1	Relief Valve Ass'y



## HAND CONTROL ASSEMBLY

Item No.	Part No.	No. Req'd	Description
1	206105	2	Push Button
2	11033	2	Retaining Ring
3	206104	2	Valve Cartridge (Including seals)
4	203769	2	Decal (Stop)
5	421265	1	Control Valve Body (Includes decals [Items 4 & 6])
6	203770	1	Decal (Run)

**GENERAL ASS'Y TOP VIEW**

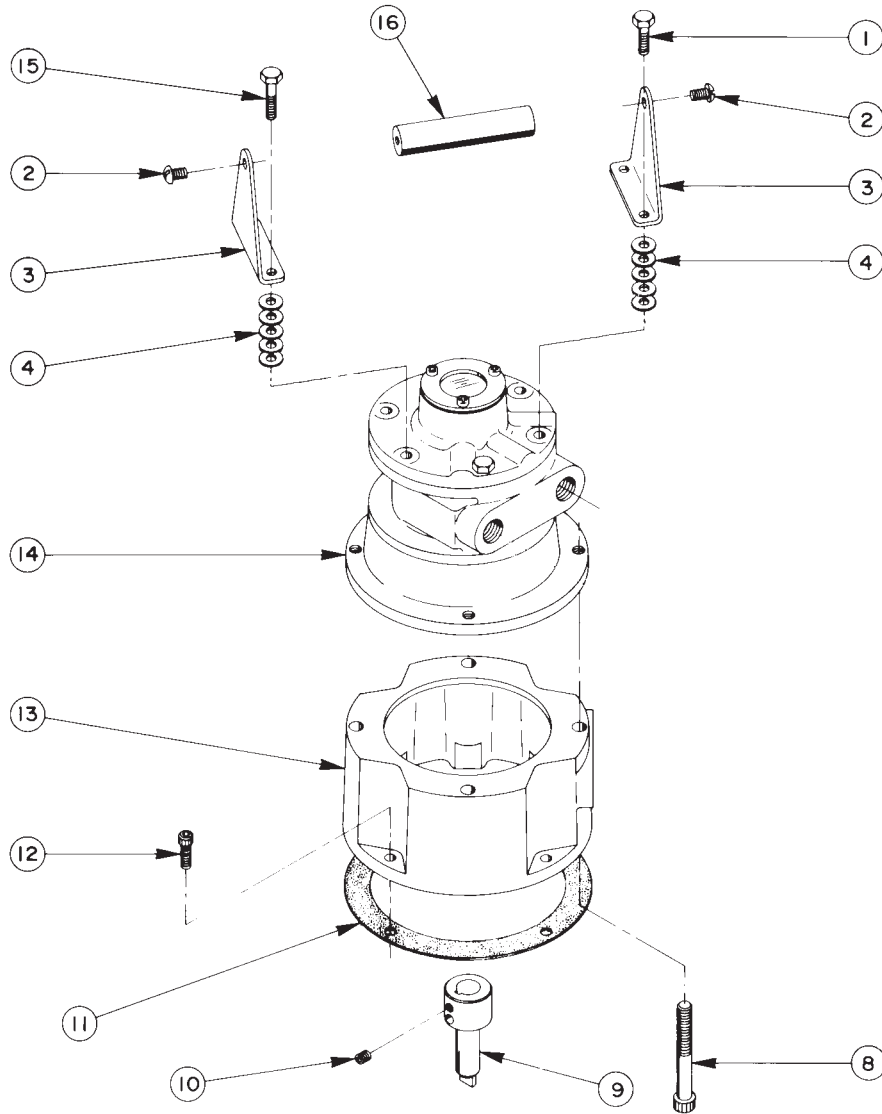


Item No.	Part No.	No. Req'd	Description
1	351076	1	Tee Assembly
2	66209	1	Valve (See Form No. 108100)
3	10412	1	Screw (3/8-16 UNC x 1/2 Lg.)
4	19779	1	Seal Washer
5	252653	1	90° Elbow Fitting
6	350431	1	Oil Level / Thermometer Gauge
7	212304	1	Plastic Cap
8	10575	4	Drive Screw
9	10177	9	Screw (1/4-10 X 7/8 Lg.)
10	212898	.9ft.	Pressure Hose
11	12367	2	Hose Clamp
12	251053	1	Straight Fitting

Item No.	Part No.	No. Req'd	Description
13	15883	2.8ft.	Plastic Tubing
14	212897	1	90 °Elbow Fitting
15	306033	1	Air Valve
16	15457	2	90° Elbow Fitting
17	420096	1	Hose Assembly (25' Lg.)
18	208218	6	Straight Fitting
19	212896	1	Grommet
20	46626	1	Heat Exchanger Coil
21	251796	1	Jam Nut
22	251795	1	Straight Fitting
23	421265	1	Air Operated Hand Control

(See back sheet 1 of 5)

### AIR MOTOR ASSEMBLY

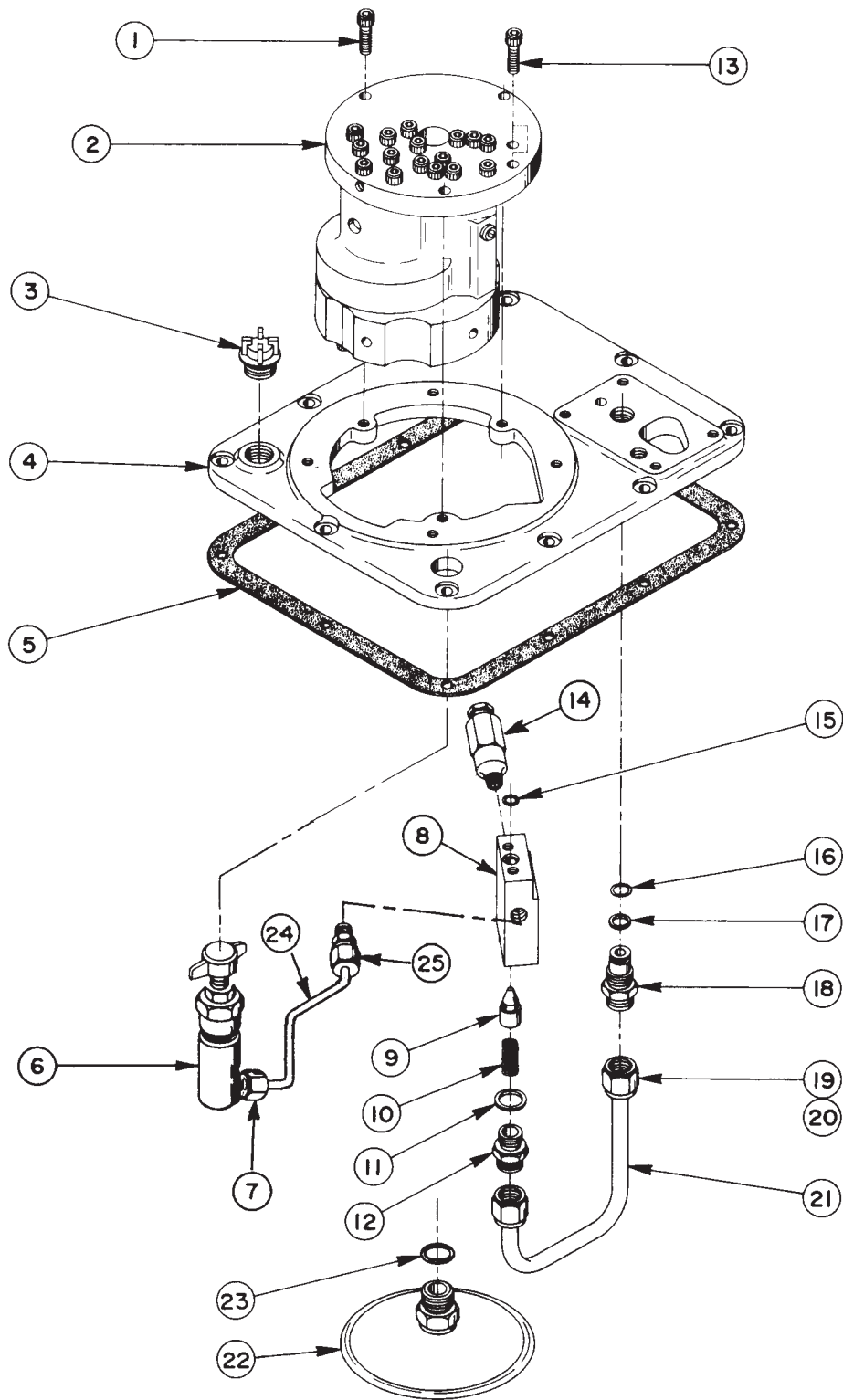


Item No.	Part No.	No. Req'd	Description
1	10014	1	Cap Screw (1/4-28 X 1" Lg.)
2	10174	2	Machine Screw (1/4-20 X 1/2 Lg.)
3	33808	2	Handle Bracket
4	12719	20	Washer
8	17816	4	Cap Screw (3/8-16 X 3" Lg.)
9	37842	1	Shaft Extension
10	10556	1	Set Screw (1/4-20 UNC X 1/4 Lg.)
11	30650	1	Gasket

Item No.	Part No.	No. Req'd	Description
12	10008	4	Cap Screw (1/4-20 X 3/4 Lg.)
13	51158WH2	1	Motor Base
14	*14717	1	Air Motor (See Form #16138)
15	10018	3	Cap Screw (1/4-28 X 1-1/4 Lg.)
16	28158	1	Handle
	51159	1	Complete Air Motor Ass'y (Includes Items 1 through 16)

**\*Note: For air motor repair kit, order no. 252100.**

### GENERAL PUMP ASSEMBLY



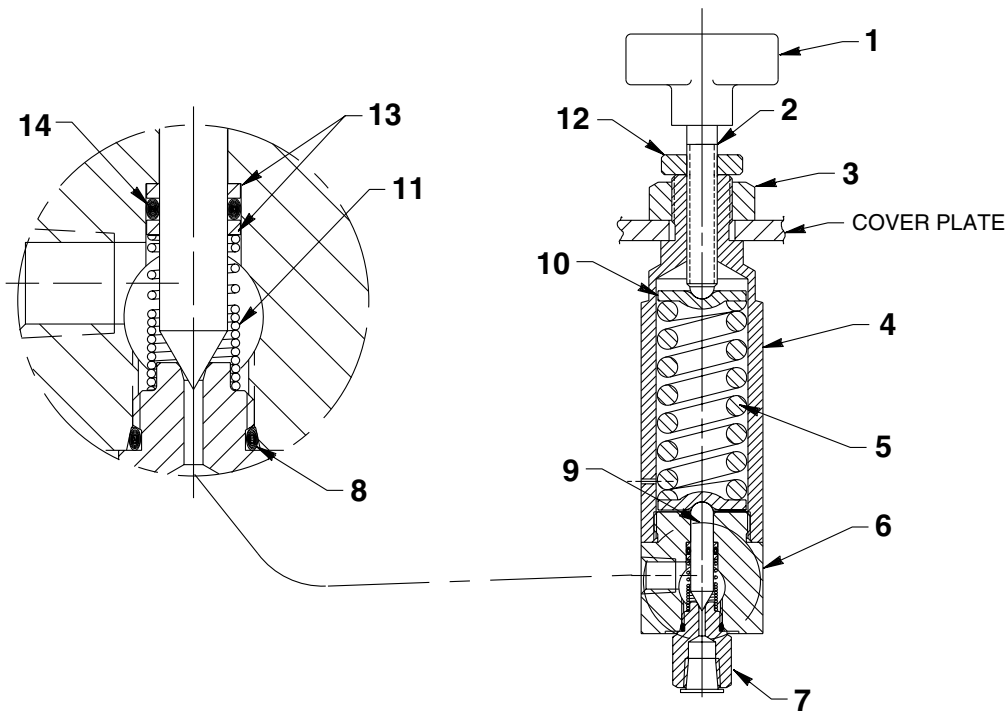
# Parts List, Form No. 100621, Back sheet 3 of 5

Item No.	Part No.	No. Req'd	Description
1	10016	3	Cap Screw (1/4-20 X 1" Lg.)
2	-----	1	Basic Pump Assembly (Includes all items on sheet 4 of 5 and items 1, 7, 8, 9,10, 11, 12, 13, 15 & 22 on this sheet)
3	20937	1	Vent Cap
4	46627WH2	1	Cover
5	40164	1	Gasket
6	47647	1	External Pressure Regulator (See below)
7	16177	1	90° Elbow Fitting
8	20776	1	Valve Body
9	20771	1	Poppet
10	10425	1	Comp. Spring (3/8 O.D. X 3/4 Lg.)
11	10261	1	Copper Washer (3/4 X 19/32 X 1/32)

Item No.	Part No.	No. Req'd	Description
12	20770	1	Connector (Torque to 40/45 in. lbs.)
13	10015	2	Cap Screw (1/4-28 X 1" Lg.; Torque to 180 in. lbs.)
14	21278	1	Relief Valve (Set at 10,100/10,700 PSI)
15	10266	1	O-ring (1/4 X 3/8 X 1/16)
16	10268	1	O-ring (1/2 X 3/8 X 1/16)
17	11863	2	Teflon Backup Washer
18	20787	1	Valve Connector
19	10430	2	Tube Sleeve
20	10431	2	Tube Nut
21	21045	1	Oil Line
22	21345	1	Filter Ass'y (Includes Item #23)
23	10527	1	O-ring (13/16 X .644 X .087)
24	201570	1	Oil Line Tube
25	14844	1	Straight Fitting

## PRESSURE REGULATOR ASSEMBLY

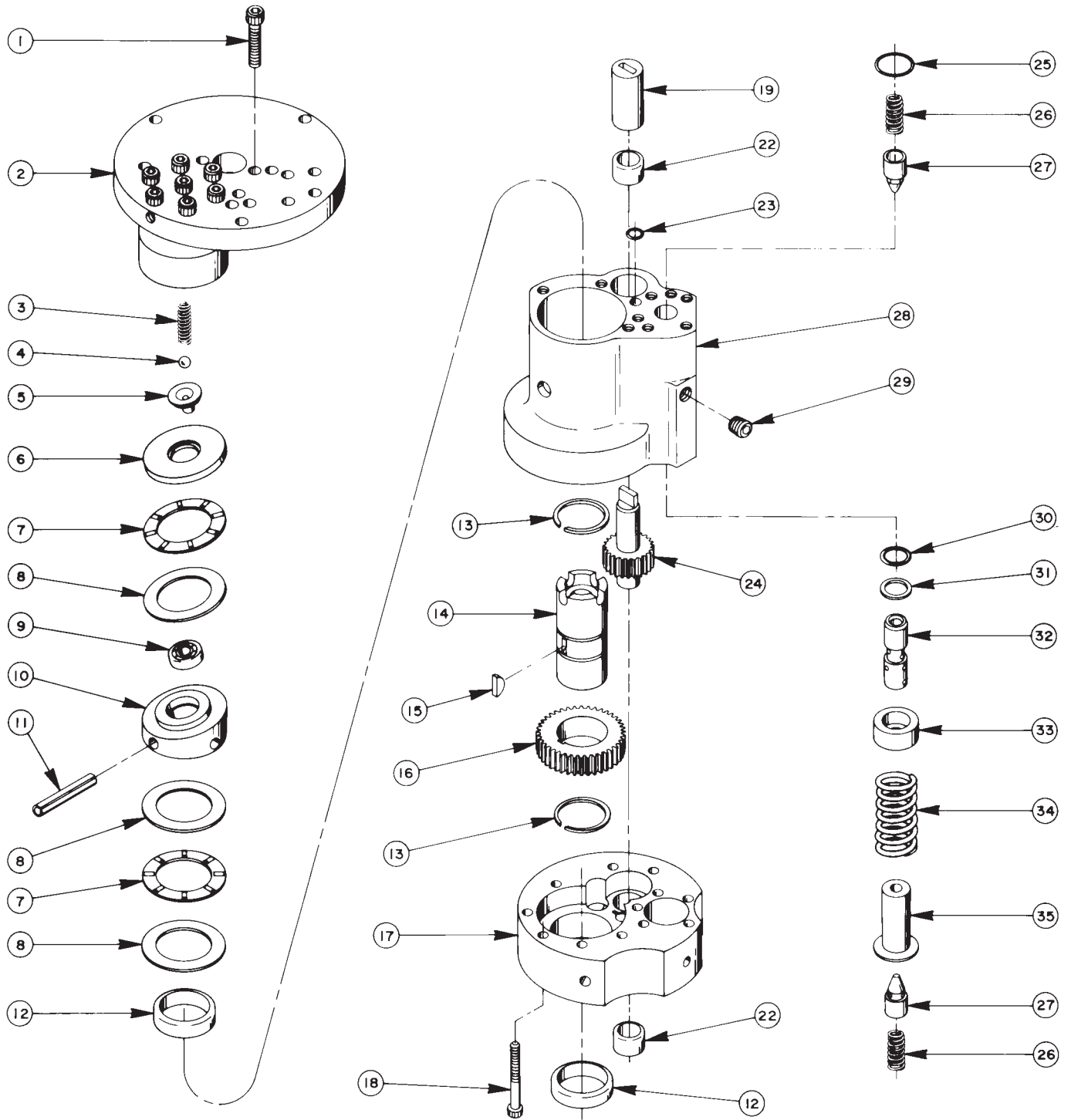
NOTE: Set at 10,100/10,700 PSI



Item No.	Part No.	No. Req'd	Description
1	215693	1	Knob
2	215721	1	Adjustment Stem (Assemble to knob with Loctite No. 242 or equiv.)
3	10396	1	Jam Nut
4	309077	1	Regulator Housing
5	215429	1	Compression Spring (1.100 O.D. X 2-1/2 Lg.)
6	47648	1	Regulator Body
7	309078	1	Seat Fitting
8	13755	1	O-ring (.558 x .414 x .072)

Item No.	Part No.	No. Req'd	Description
9	309079	1	Poppet
10	215428	2	Spring Retainer (Grease pocket [both ends] before assembly)
11	215431	1	Spring (Assemble closed coils of spring form towards seat fitting [Item #7])
12	21583	1	Locknut
13	215430	2	Backup Washer
14	10266	1	O-ring (3/8 X 1/4 X 1/16)

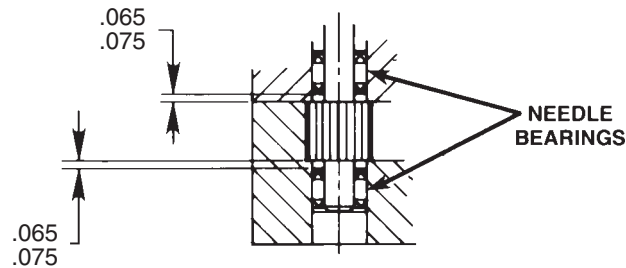
BASIC PUMP ASS'Y



# Parts List, Form No. 100621, Back sheet 4 of 5

Item No.	Part No.	No. Req'd	Description
1	10020	9	Soc. Hd. Cap Screw (1/4-20 X 1-1/4 Lg.; Torque to 170-180 in. lbs.)
2	33113	1	High Pressure Pump Ass'y (See back sheet 5 of 5)
3	10361	1	Compression Spring (1/4 O.D. X 1" Lg.)
4	10375	1	Steel Ball (1/4 Dia.)
5	23547	1	Bearing Top Plate
6	23548	1	Top Plate
7	11228	2	Thrust Bearing
8	11813	3	Bearing Race
9	11814	1	Ball Bearing
10	23549	1	Angle Plate
11	11955	1	Roll Pin (1/4 Dia. X 3/4 Lg.)
12	11064	2	Needle Bearing
13	11261	2	Retaining Ring (1-1/8 Shaft)
14	23556	1	Shaft
15	11821	1	Woodruff Key
16	23557	1	Gear
17	30533	1	Pump End Plate
18	10001	12	Soc. Hd. Cap Screw (10-32 X 1-3/4 Lg.; Torque to 50 in. lbs.)
19	21091	1	Aluminum Coupling
20	11199	2	Needle Thrust Bearing (See diagram below)
23	10266	1	O-ring (1/4 X 3/8 X 1/16)
24	21272	1	Drive Gear
25	10303	1	O-ring (7/8 X 3/4 X 1/16)
26	10425	2	Compression Spring (3/8 O.D. X 3/4 Lg.)
27	20771	2	Poppet
28	40120	1	Pump Body
29	10427	1	Pipe Plug (1/8 NPTF)
30	10271	1	O-ring (11/16 x 1/2 X 3/32)
31	12389	1	Teflon Backup Washer (11/16 X 1/2 X 1/16)
32	20849	1	Spool
33	23255	1	Spring Guide
34	10426	1	Compression Spring (1" O.D. X 1-13/16 Lg.)
35	23256	1	Spring Guide

## NEEDLE BEARING INSTALLATION SPECIFICATIONS

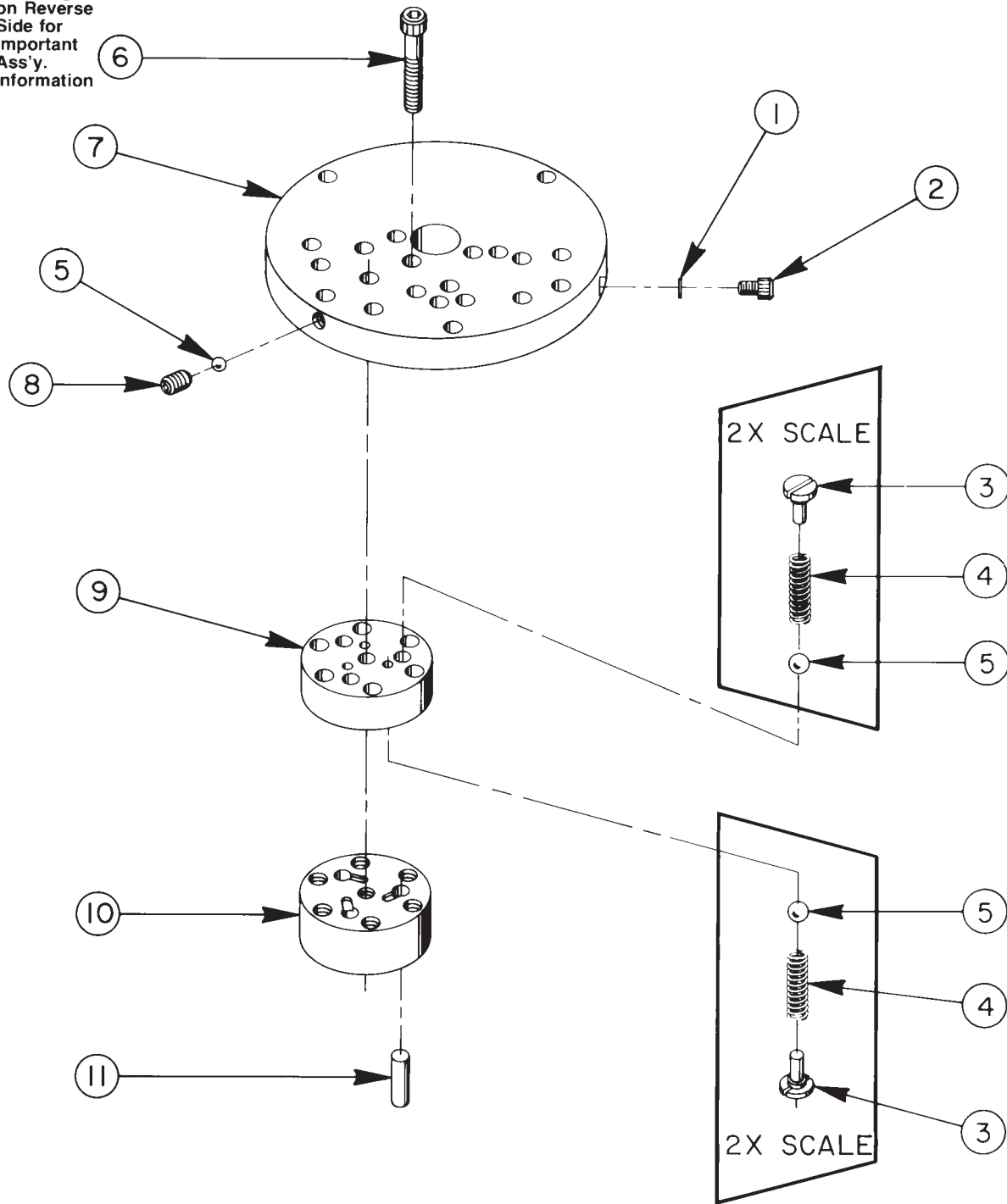


**When replacing the needle bearings on the drive gear of the basic pump, the dimensions shown must be as specified.**

Note: Shaded areas reflect last revision(s) made to this form.

### HIGH PRESSURE PUMP ASSEMBLY

See Diagram  
on Reverse  
Side for  
Important  
Ass'y.  
Information

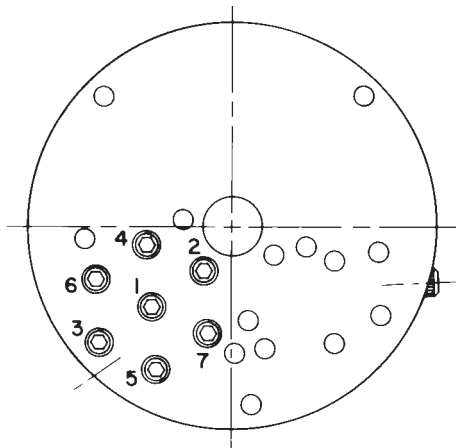


**#33113 HIGH PRESSURE PUMP ASS'Y**  
**(3 Pistons - 9/32 Dia.)**

Item No.	Part No.	No. Req'd	Description
1	10442	1	Copper Washer (3/8 X 1/4 X 1/32)
2	10002	1	Soc. Hd. Cap Screw (1/4-20 NC X 3/8 Lg.; Torque to 140/160 in. lbs.)
3	*24549	6	Valve Guide
4	*10445	6	Compression Spring (.164 O.D. X .718 Lg.)
5	*12223	7	Steel Ball (3/16 Dia.)
6	*10023	7	Soc. Hd. Cap Screw (1/4-28 NF X 1-1/2 Lg.; Torque to 170/180 in. lbs.)
7	*50411	1	Top Plate (Aluminum)
8	10519	1	Soc. Set Screw (1/4-20 NC X 3/8 Lg.; Torque to 65/70 in. lbs.)
9	*40630	1	Valve Head
10	*41062	1	Pump Barrel
11	*21628	3	Piston

Consult factory when replacing items marked with an asterisk (\*).

**BOLT TIGHTENING SEQUENCE**



**NOTE: Assemble in sequence shown. Lubricate under head and on threads. Torque to 180 in. lbs.**

Refer to any operating instructions included with this product for detailed information about operation, testing, disassembly, reassembly, and preventive maintenance.

Items found in this parts list have been carefully tested and selected. **Therefore: Use only genuine Power Team replacement parts!**

Additional questions can be directed to our Technical Services Department.

Note: Shaded areas reflect last revision(s) made to this form.