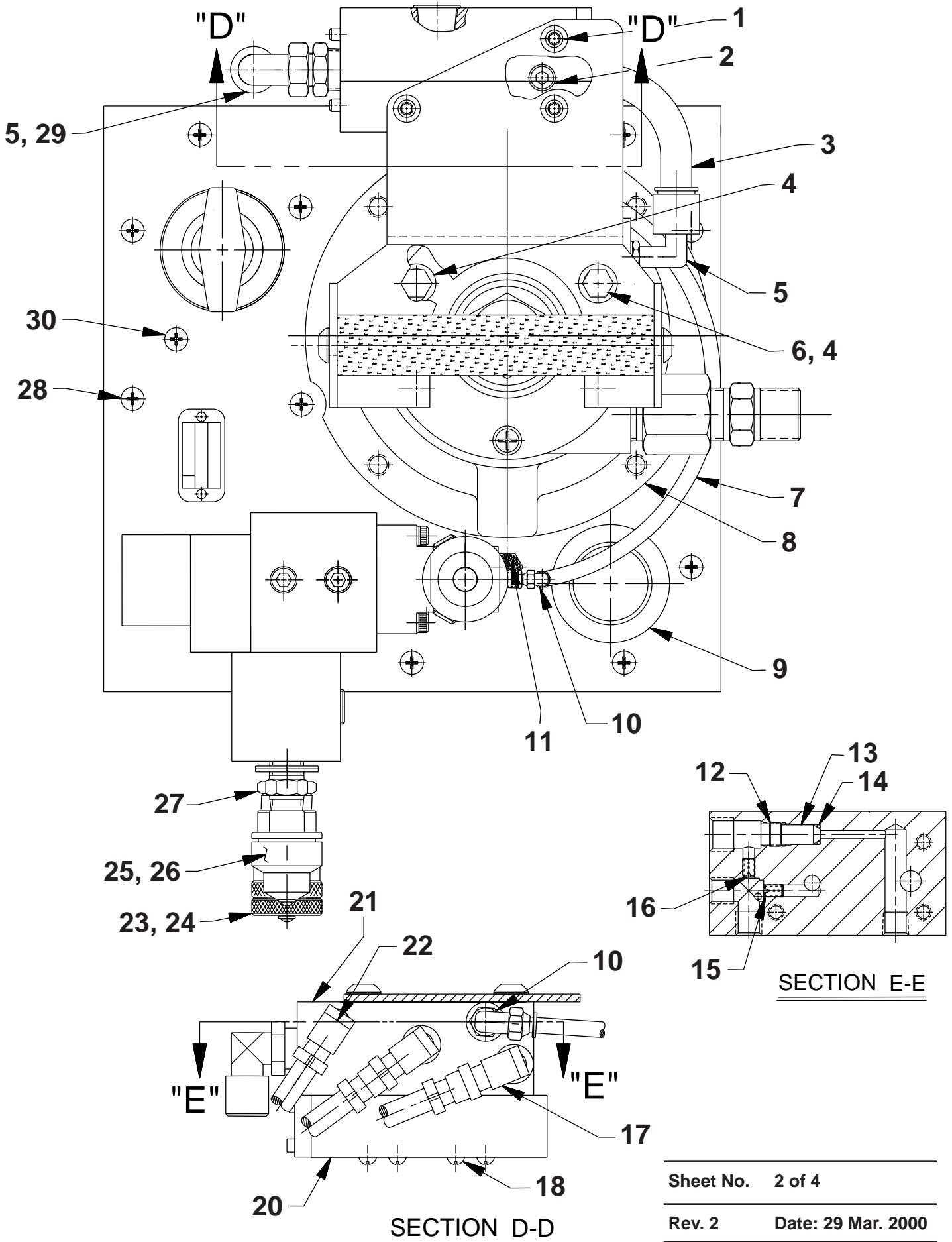




# Parts List, Form No. 108087, Back sheet 1 of 4

Item No.	Part No.	No. Req'd	Description
1	252154	1	Handle
2	251600	1	Grip, Handle
3	251437	2	Screw, Button Hd (1/4-20 x 1/2)
4	59258GY8	1	Bracket, Handle
5	11965	1	Fitting, Straight (1/4 NPTF)
6	251795	1	Fitting, Straight (1/2 NPSM)
7	351060	1	Gasket, Motor Base
8	209798	1	Ring, Retain Ext. (1.18 x .052)
9	213663	4	Screw, Flg Hex Hd (3/8-16 x 1; Torque to 230/250 in. lbs.)
10	10258	4	Washer, Plain (.82 x .41)
11	209805	1	Bearing, Ball
12	10136	1	Screw, Hex Set (1/4-20 x 1/4 Lg.; Torque to 60/80 in. lbs.)
13	10519	1	Screw, Hex Set (1/4-20 x 3/8 Lg.; Torque to 60/80 in. lbs.)
14	420840	1	Eccentric
15	10199	2	Nut, Hex (1/4-20)
16	12298	1	Pin, Roll (.19 x 1.50)
17	65137	1	Housing, Upper Gerotor
18	10922	1	O-ring (2.12 x 1.93 Nitrile)
19	304826	1	Set, Gerotor
20	209794	1	Pin, Gerotor Drive
21	350940	1	Shaft, Gerotor
22	21846	1	Support, Filter
23	304830	1	Seal, Oil (.88 x .50 Nitrile)
24	12595	1	Washer, Brass (1.13 x .51)
25	10022	2	Screw, Soc Hd (1/4-20 x 1-1/2; Torque to 180/200 in. lbs.)
26	64580	1	Housing, Gerotor Lower
27	420948	1	Pad, Rubber (Note: Apply 3M Adhesive #08031 to bottom of reservoir and pad.)
28	65126BK2	1	Reservoir
29	17147	1	Fitting, Plug (7/16)
30	10396	1	Nut, Hex Jam (3/4-16)
31	351000	1	Drain
32	14725	1	O-ring (1.12 x .93 Nitrile)
33	14844	1	Fitting, Straight (1/8 NPTF)
34	15052	1	Fitting, Elbow 90° (1/8 NPTF)
35	17586	1	Gauge, Sight (1-1/2")
36	253300	1	Seal Washer
37	18969	1	Fitting, Tee (1/8 NPTF)
38	58779	1	Gasket, Reservoir
39	66074BK2	1	Plate, Cover
40	351095	1	Gasket, Valve
41	251599	1	Vent, Breather Filter
42	10479	1	Fitting, Plug (1/4 NPTF)
43	10427	1	Fitting, Plug (1/8 NPTF)
44	421840	1	Valve Assembly (See Form No. 105549)

PUMP TOP VIEW

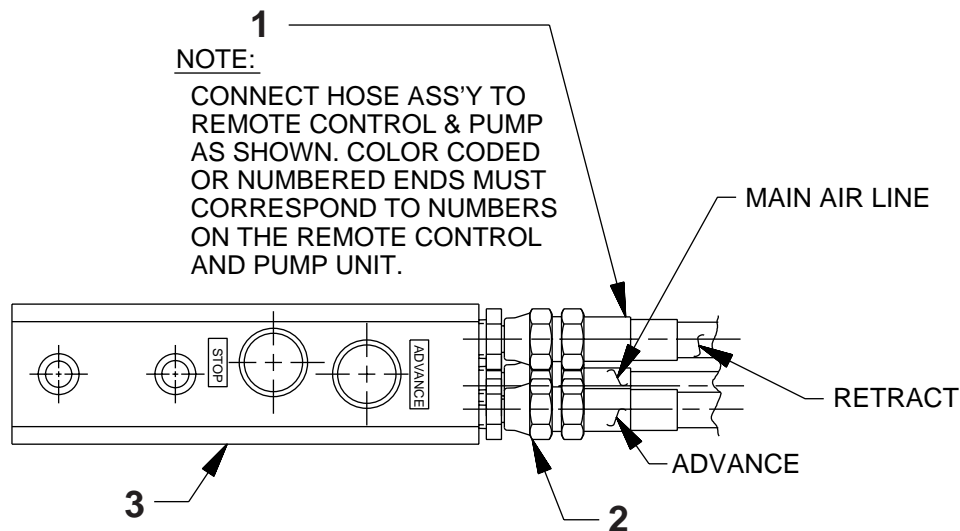


Item No.	Part No.	No. Req'd	Description
1	251437	3	Screw, Button Hd (1/4-20 x 1/2)
2	15499	1	Fitting, Plug (1/8 PTF)
3	252296	1 ft.	Tubing, Nylon
4	12719	10	Washer, Plain (.63 x .29)
5	252297	2	Fitting, Elbow 90°
6	10014	2	Screw, HH Cap (1/4-28 x 1"; NOTE: Do not apply Loctite to threads)
7	15883	1 ft.	Tubing, Polyethylene
8	421838GY8	1	Motor, Air
9	350925	1	Cap, Filler
10	250463	2	Fitting, Elbow 90° (1/8 NPTF)
11	251599	1	Vent, Breather Filter
12	17240	1	Screw, Hol Lock (3/8-24 x 3/16)
13	253531	1	Valve, Check (3000 PSI)
14	10265	1	O-ring (.31 x .18 Nitrile)
15	214990	1	Screw, Restrictor (12-24 x 5/16; NOTE: Do not apply Loctite to threads.)

Item No.	Part No.	No. Req'd	Description
16	252173	1	Screw, Orifice (12-24 x 1/4; NOTE: Do not apply Loctite to threads.)
17	14440	2	Fitting, Elbow 90° (1/8 NPTF)
18	252175	4	Screw, Rnd Hd (12-24 x 1-1/4; Torque to 50 in. lbs.)
20	351276	1	Valve, Pilot (4 way air)
21	58780	1	Body, Manifold
22	14680	1	Fitting, Elbow 90° (1/8 NPTF)
23	251797	1	Coupler, Quick
24	252068	1	Plug, Dust
25	251798	1	Coupler, Quick Plug
26	252069	1	Cap, Dust
27	10672	1	Fitting, Straight (1/4 NPTF)
28	10177	12	Screw, Rnd Hd (1/4-20 x 3/4)
29	10676	1	Fitting, Straight (3/8 NPTF)
30	15911	3	Screw, Button Hd (1/4-20 x 5/8)

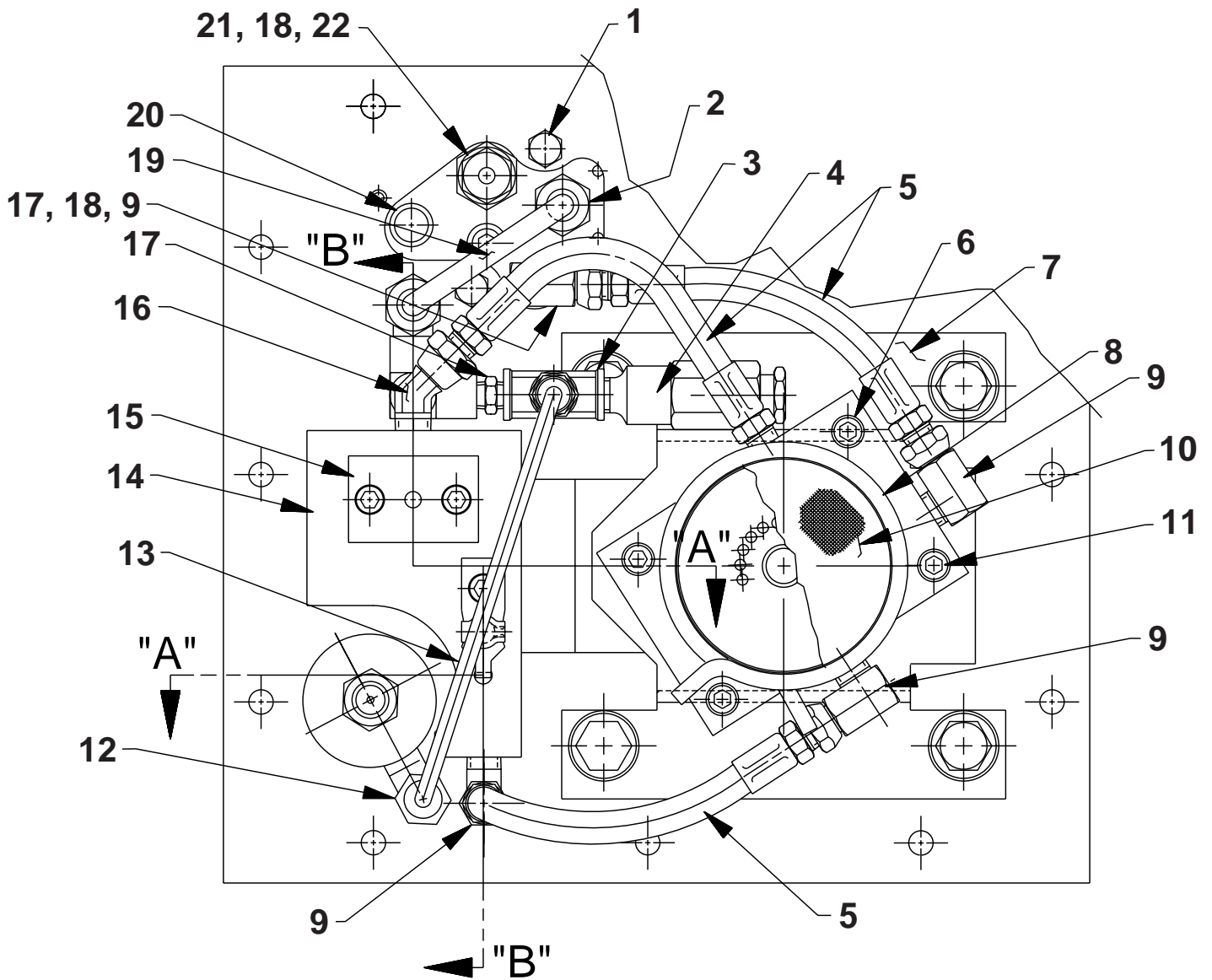
Note: Shaded areas reflect last revision(s) made to this form.

### REMOTE CONTROL HAND SWITCH



Item No.	Part No.	No. Req'd	Description
1	421610	1	Hose, Three Strand 15'
2	208218	3	Fitting, Straight (1/8 NPTF)
3	421257	1	Control, Remote (See Form No. 101644)

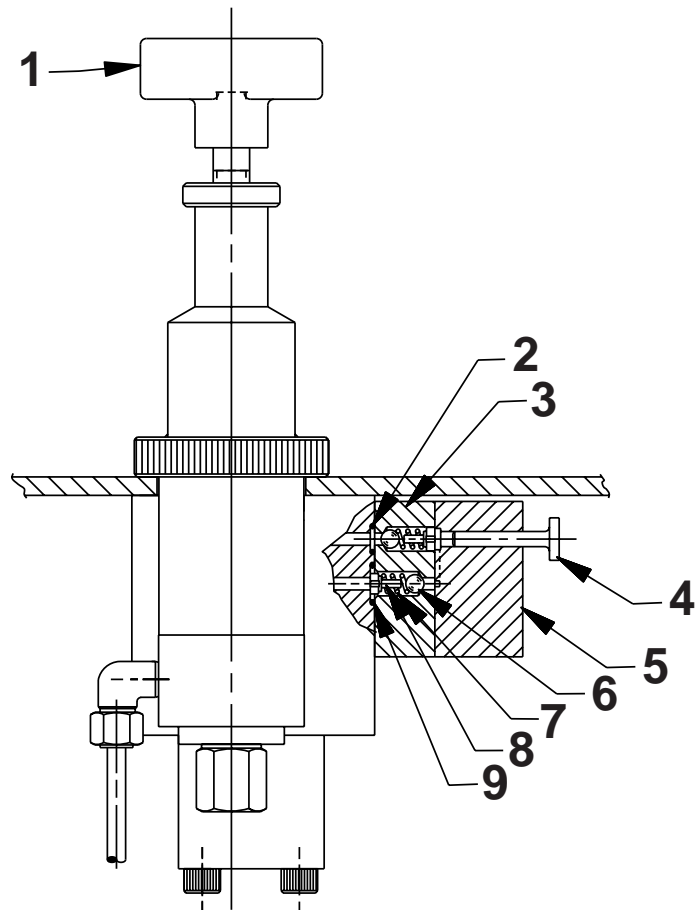
**PUMP BOTTOM VIEW**



Item No.	Part No.	No. Req'd	Description
1	12825	3	Screw, Hex Hd Cap (1/4-20 x 5/8)
2	205793	1	Fitting, Straight (1/4 NPTF)
3	215033	1	Fitting, Tee (1/8 NPTF)
4	21278	1	Valve, Relief (Set at 10,100.10,700 PSI)
5	304819	3	Hose, 1/2" Polyurethane
6	10022	4	Screw, Soc Hd (1/4-20 x 1-1/2; Torque to 60/80 in. lbs.)
7	58481	1	Bracket, Gerotor Housing
8	11461	1	Clamp, Hose
9	14440	4	Fitting, Elbow 90° (1/8 NPTF)
10	21608	1	Filter
11	10890	2	Screw, Soc Hd (1/4-20 x 2; Torque to 60/80 in. lbs.)

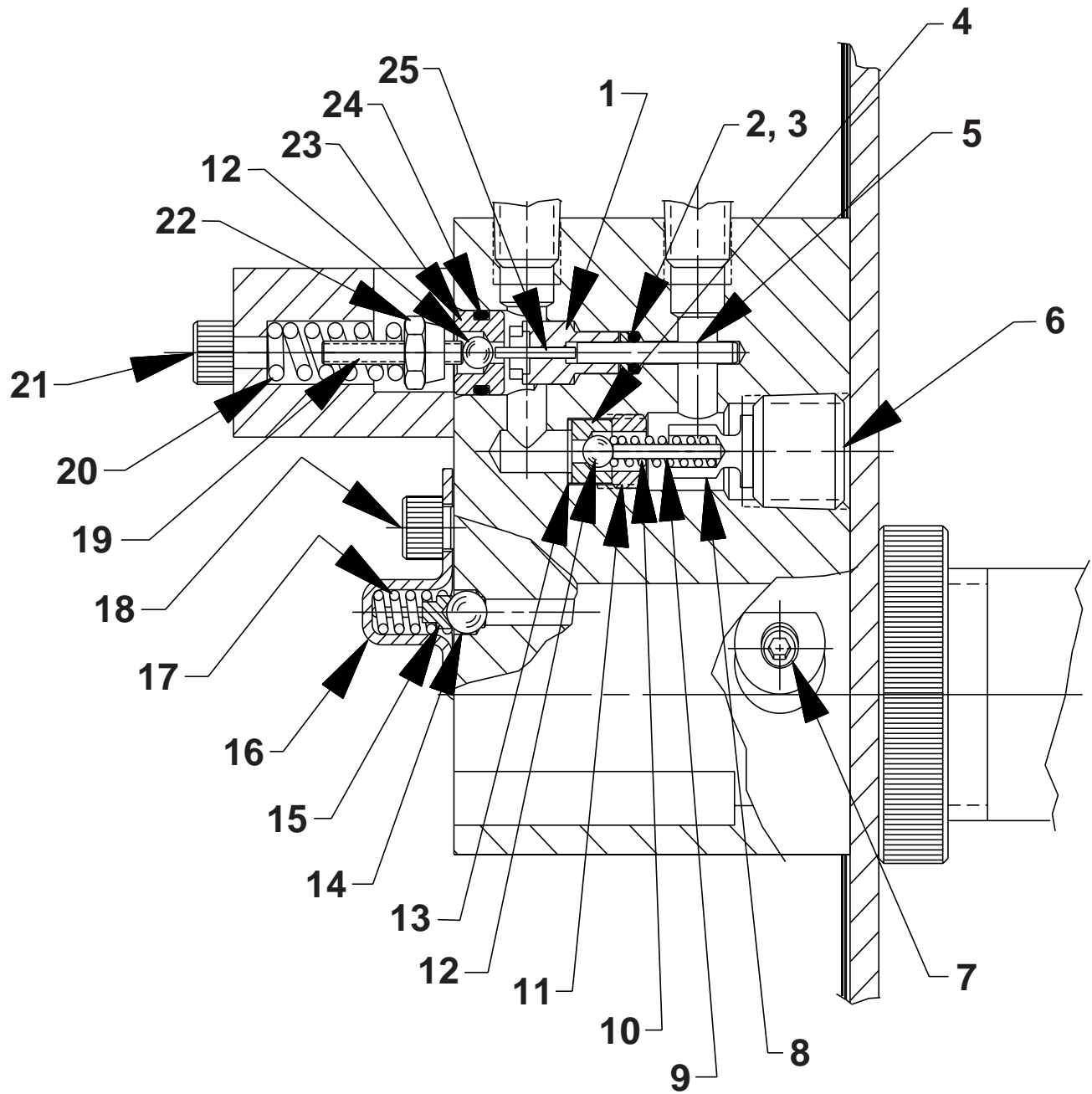
Item No.	Part No.	No. Req'd	Description
12	16177	1	Fitting, Elbow 90° (1/8 NPTF)
13	252149	1	Tube, Oil Line
14	65128	1	Body, Check
15	350930	1	Block, Retaining
16	251800	1	Fitting, Elbow 45° (1/8 NPTF)
17	11421	2	Fitting, Straight (1/8 NPTF)
18	18841	2	Fitting, Straight (1/8 NPTF)
19	252091	1	Tube, Oil Line
20	250630	1	Tube, Drain
21	251751	1	Fitting, Straight (1/8 NPTF)
22	21278-15	1	Valve, Relief (Set at 1,500/1,700 PSI)

SECTION A-A



Item No.	Part No.	No. Req'd	Description
1	420963	1	Pressure Regulator (See Form No. 105550)
2	10265	1	O-ring (.25 x .12 Urethane)
3	45559	1	Block
4	305526	1	Piston, High Pressure
5	45866	1	Block
6	12223	2	Ball (3/16" dia. steel)
7	10445	2	Spring (.16 OD x .72 x .01 WS)
8	24549	2	Guide, Ball
9	14763	1	O-ring (.43 x .31 Urethane)

SECTION B-B



# Parts List, Form No. 108087, Back sheet 4 of 4

<b>Item No.</b>	<b>Part No.</b>	<b>No. Req'd</b>	<b>Description</b>
1	<b>251068</b>	1	Guide
2	<b>17797</b>	1	O-ring (.25 x .12 Urethane)
3	<b>214992</b>	1	Washer, Backup (.24 x .13)
4	<b>209787</b>	1	Seat, Replaceable
5	<b>16471</b>	1	Pin, Dowel (.13 x 1.00; Taper on pin should be away from guide [Item #1].)
6	<b>14972</b>	1	Fitting, Plug (1/4 PTF)
7	<b>15130</b>	1	Fitting, Plug (1/16 PTF)
8	<b>202681</b>	1	Stop, Ball
9	<b>10895</b>	1	Pin, Roll (.13 x .75)
10	<b>250227</b>	1	Spring (.18 OD x 1.38 x .01 WS)
11	<b>209797</b>	1	Screw, Hol Lock (7/16-20 x 1/4; Torque to 110/130 in. lbs.)
12	<b>12223</b>	2	Ball (3/16" dia. steel)
13	<b>10442</b>	1	Washer, Copper (.37 x .25)
14	<b>10374</b>	1	Ball (7/32" dia. steel)
15	<b>200796</b>	1	Adapter, Ball & Spring
16	<b>350577</b>	1	Retainer, Spring
17	<b>15691</b>	1	Spring (.24 OD x .63 x .04 WS)
18	<b>10002</b>	1	Screw, Soc Hd (1/4-20 x 3/8; Torque to 60/80 in. lbs.)
19	<b>251067</b>	1	Screw, Hex Set (10-24 x 1 Lg.)
20	<b>14484</b>	1	Spring (.36 OD x 1.00 x .05 WS)
21	<b>10854</b>	2	Screw, Soc Hd (1/4-20 x 1-3/4; Torque to 60/80 in. lbs.)
22	<b>207405</b>	1	Nut, Hex Lock (10-24)
23	<b>251065</b>	1	Seat, Replaceable
24	<b>10268</b>	1	O-ring (.50 x .37 Nitrile)
25	<b>251611</b>	1	Pin, Dowel (.06 x .50)